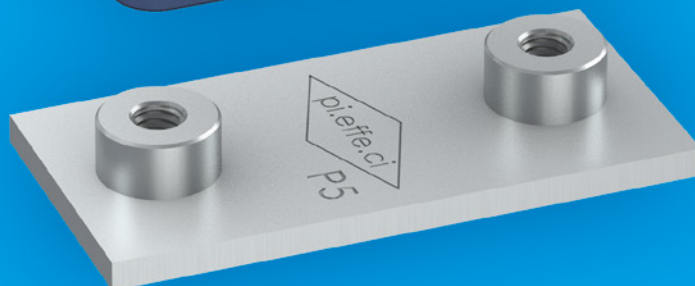
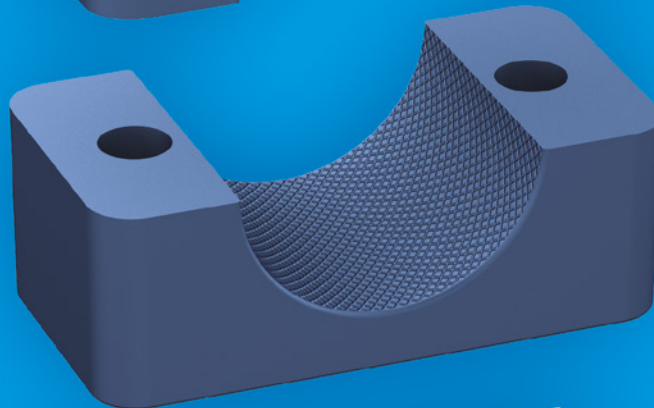
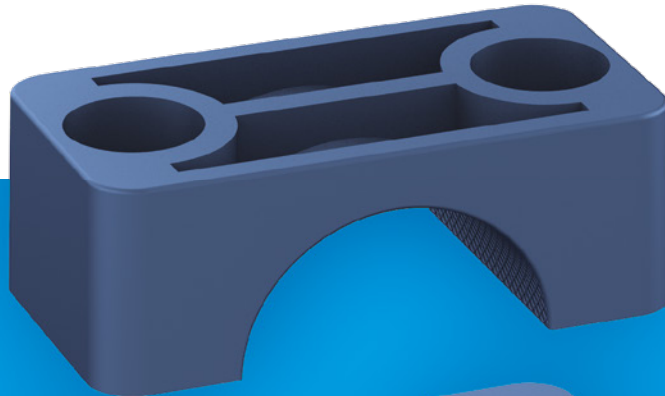
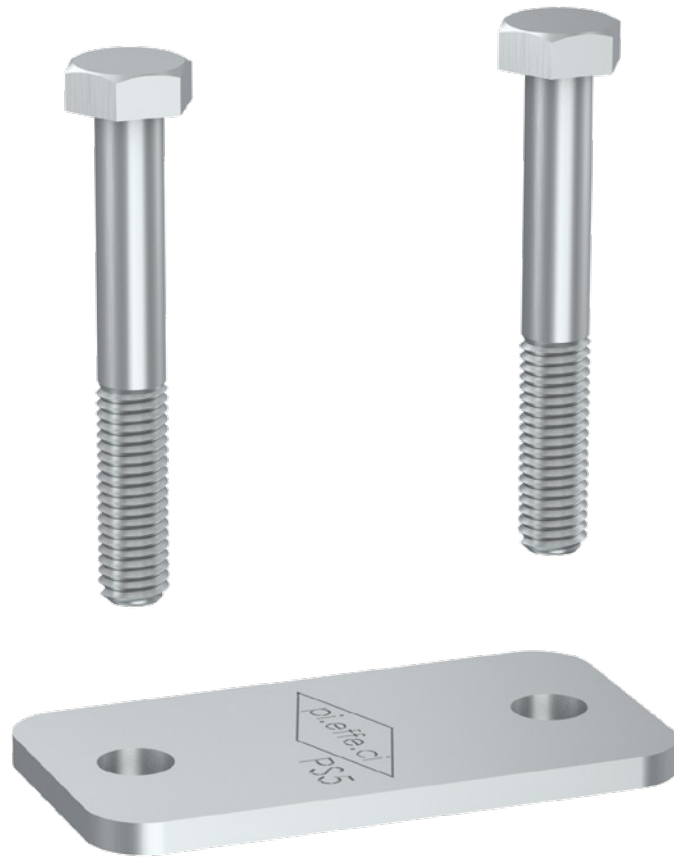
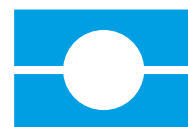




PIPE CLAMPS  
**STANDARD SERIES**

14





# PIPE CLAMPS STANDARD SERIES

DIN 3015, PART 1

PIPE CLAMPS  
STANDARD SERIES

15

## CLAMP BODY STANDARD MATERIALS



**Polypropylene**  
Colour **Blue** .....  
Code **PP**

**OTHER COLOURS  
AVAILABLE ON DEMAND!**



**Polyamide**  
Colour **Black**  
Code **PA**



**Rubber Elastomer**  
Colour **Black**  
Code **GM**



**Self-extinguishing Polypropylene**  
Colour **White**  
Code **AU**



**Aluminium**  
Colour **Natural**  
Code **A**

DIFFERENT DAMETERS AND MATERIALS AVAILABLE ON REQUEST.

Clamp body internal surface:  
**knurled** (C1 to C7)  
**profiled** (C8-C9, AC1 to AC7, C60, TG)  
**smooth** (C7C, C1 L to C9 L)

For Material Characteristics, see Technical Appendix (page 147).

## COMPONENTS AND ACCESSORIES STANDARD MATERIALS

**Carbon Steel S 235 JR** with finishing surface in white zinc-coated  
Fe Zn c8 II.

**Untreated** are available on request.

**Stainless Steel Inox 316L** (X2 CrNiMo 17-12-2) 1.4404  
marked with X identification code.

The **BB** track is treated with zinc-plating SENDZIMIR.  
The **BBP** track is treated with zinc-coating Fe Zn c8 II.

**Metric thread:** code **M**  
**UNC thread:** code **UNC**.

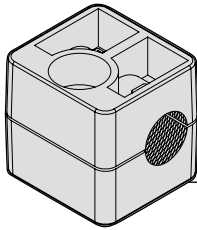
For Material Characteristics, see Technical Appendix (page 147).



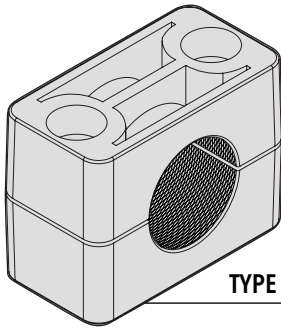


# C CLAMP BODY

TWO CLAMP HALVES



TYPE 1



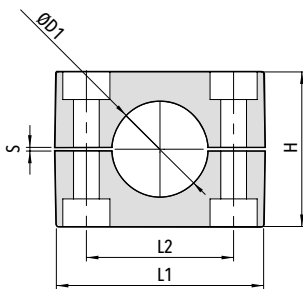
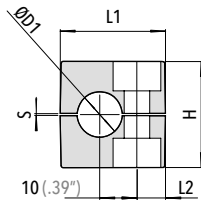
TYPE 2 TO 9

DIN 3015, PART 1

PIPE CLAMPS  
STANDARD SERIES

16

Code C (Material PP - PA - GM - AU)  
 Code AC (Material AL).



### ORDER CODE

CLAMP BODY CODE	OUTSIDE DIAMETER (mm)	MATERIAL
-----------------	-----------------------	----------

### EXAMPLE

Clamp body type: 3  
 Material: PP  
 Outside diameter: 15 mm  
 Order code: **C3 - 15 - PP**

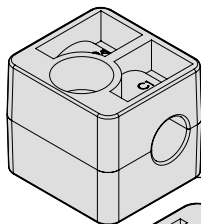
Code	Outside Diameter ØD1		L1	L2	H	S	Width
	mm	nominal bore pipe in					
C1 AC1	6						
	6,4	1/4"					
	8	5/16"					
	9,5	3/8"	28 (1.10")	9,5 (.37")	27 (1.06")	0,6 (.02")	30 (1.18")
	10	1/8"					
	12						
C2 AC2	12,7	1/2"					
	6						
	6,4	1/4"					
	8	5/16"					
	9,5	3/8"	37 (1.46")	20 (.79")	27 (1.06")	0,6 (.02")	30 (1.18")
	10	1/8"					
C3 AC3	12						
	12,7	1/2"					
	13,5	1/4"					
	14						
	15		42 (1.65")	26 (1.02")	33 (1.30")	0,8 (.03")	30 (1.18")
	16	5/8"					
C4 AC4	17,2	3/8"					
	18						
	19	3/4"					
	20						
	21,3	1/2"					
	22	7/8"	50 (1.97")	33 (1.30")	36 (1.42")	0,8 (.03")	30 (1.18")
C5 AC5	23						
	25						
	25,4	1"					
	26,9	3/4"					
	28						
	29		57 (2.24")	40 (1.57")	42 (1.65")	1 (.04")	30 (1.18")
C6 AC6	30						
	32	1.1/4"					
	32	1.1/4"					
	33,7	1"					
	35						
	38	1.1/2"	71 (2.80")	52 (2.05")	58 (2.28")	1,4 (.05")	30 (1.18")
C7 AC7	40						
	42,4	1.1/4"					
	45						
	44,5	1.3/4"					
	45						
	48,3	1.1/2"					
C8	50		86 (3.39")	66 (2.60")	66 (2.60")	1,4 (.05")	30 (1.18")
	50,8	2"					
	53						
	54	1.3/4"					
	57,2	2.1/4"					
	60,3	2"					
C9	63,5	2.1/2"					
	66		121 (4.76")	94 (3.70")	93 (3.66")	2 (.08")	30 (1.18")
	70	2.3/4"					
	73						
	76,1	2.1/2"					
	83,5	3"					
C9	88,9	3"	147 (5.79")	120 (4.72")	118 (4.65")	3 (.1")	30 (1.18")
	102	3.1/2"					



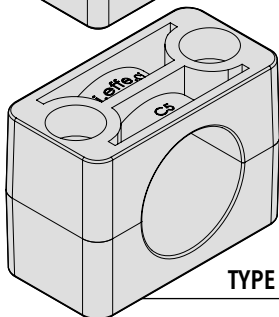
# CL CLAMP BODY

CLAMPS SMOOTH INSIDE SURFACE WITHOUT TENSION CLEARANCE

TWO CLAMP HALVES SUITABLE FOR THE INSTALLATION OF HOSES OR CABLES

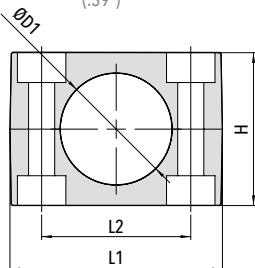
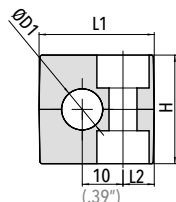


TYPE 1



TYPE 2 TO 9

Code C L (Material PP - PA - GM - AU)



Code	Outside Diameter ØD1		L1	L2	H	Width
	mm	nominal bore pipe in				
C1 L	6		28 (1.10")	9,5 (.37")	26 (1.02")	30 (1.18")
	6,4	1/4"				
	8	5/16"				
	9,5	3/8"				
	10	1/8"				
C2 L	12		37 (1.46")	20 (.79")	26 (1.02")	30 (1.18")
	12,7	1/2"				
	6					
	6,4	1/4"				
	8	5/16"				
C3 L	9,5	3/8"	42 (1.65")	26 (1.02")	32 (1.26")	30 (1.18")
	10	1/8"				
	12					
	12,7	1/2"				
	13,5	1/4"				
C4 L	14		50 (1.97")	33 (1.30")	35 (1.38")	30 (1.18")
	15					
	16	5/8"				
	17,2	3/8"				
	18					
C5 L	19	3/4"	57 (2.24")	40 (1.57")	41 (1.6")	30 (1.18")
	20					
	21,3	1/2"				
	22	7/8"				
	23					
C6 L	25		71 (2.80")	52 (2.05")	56,5 (2.22")	30 (1.18")
	25,4	1"				
	26,9	3/4"				
	28					
	29					
C7 L	30		86 (3.39")	66 (2.60")	64,5 (2.54")	30 (1.18")
	32	1.1/4"				
	32	1.1/4"				
	33,7	1"				
	35					
C8 L	38	1.1/2"	121 (4.76")	94 (3.70")	91 (3.58")	30 (1.18")
	40					
	42,4	1.1/4"				
	45					
	44,5	1.3/4"				
C9 L	45		147 (5.79")	120 (4.72")	115 (4.53")	30 (1.18")
	48,3	1.1/2"				
	50					
	50,8	2"				
	53					
C8 L	54	1.3/4"	121 (4.76")	94 (3.70")	91 (3.58")	30 (1.18")
	57,2	2.1/4"				
	60,3	2"				
	63,5	2.1/2"				
	66					
C9 L	70	2.3/4"	147 (5.79")	120 (4.72")	115 (4.53")	30 (1.18")
	73					
	76,1	2.1/2"				
	83,5					
	88,9	3"				
C9 L	102	3.1/2"	147 (5.79")	120 (4.72")	115 (4.53")	30 (1.18")
		4"				

DIN 3015, PART 1  
PIPE CLAMPS  
STANDARD SERIES

**ORDER EXAMPLE**

C5 L - 28 - PP

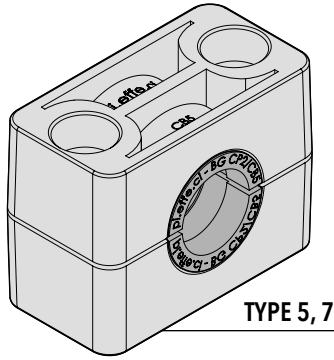




# CB CLAMP BODY

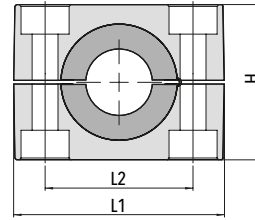
WITH RUBBER BUSHING

TWO CLAMP HALVES



**ORDER EXAMPLE**

CB5 - PP



Code	L1	L2	H	Width
------	----	----	---	-------

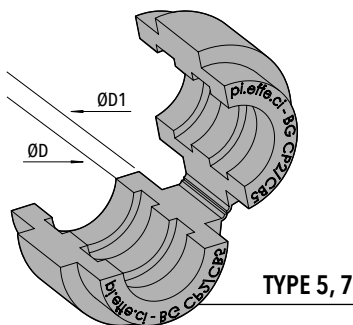
CB5	57 (2.24")	40 (1.57")	42 (1.65")	30 (1.18")
-----	---------------	---------------	---------------	---------------

CB7	86 (3.39")	66 (2.60")	66 (2.60")	30 (1.18")
-----	---------------	---------------	---------------	---------------

Code CB (Material PP - PA - AU)

18

# BG RUBBER BUSHING



Code BG (Material GM)

**ORDER EXAMPLE**

BG CB5 - 15

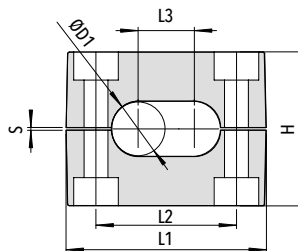
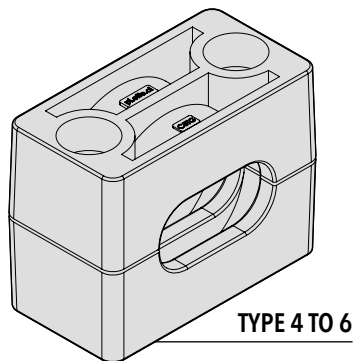
Code	Outside Diameter ØD		ØD1	Width
	mm	nominal bore pipe in		

	6			
	8	5/16"		
	10	1/8"		
	12			
	12,7	1/2"		
BG CB5	14		25 (.98")	30 (1.18")
	15			
	16	5/8"		
	17,2	3/8"		
	18			
	19	3/4"		
	20			
	21,3	1/2"		
	22	7/8"		
BG CB7	25		38 (1.50")	30 (1.18")
	26,9	3/4"		
	28			
	30			
	32	1.1/4"		



# CTG CLAMP BODY

TWO CLAMP HALVES



Code	Outside Diameter ØD		L1	L2	L3	H	S	Width
	mm	in						
C4 TG	10-10	.39"-.39"	50 (1.97")	33 (1.30")	10 (.40")	36 (1.42")	0,8 (.03")	30 (1.18")
	12-12	.47"-.47"			12 (.47")			
C5 TG	14-14	.55"-.55"	57 (2.24")	40 (1.57")	14 (.55")	42 (1.65")	1 (.04")	30 (1.18")
	16-16	.63"-.63"			16 (.63")			
C6 TG	20-20	.79"-.79"	71 (2.80")	52 (2.05")	20 (.79")	58 (2.28")	1,4 (.05")	30 (1.18")

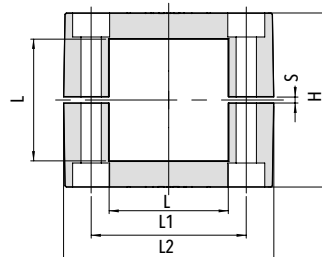
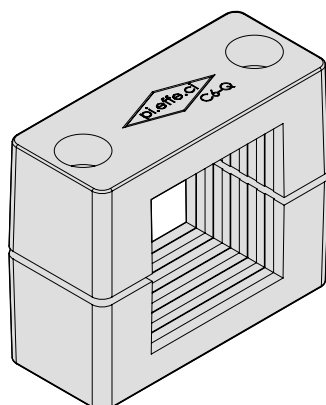
**ORDER EXAMPLE**

C4 TG - 10-10 - PP

Code CTG (Material PP - PA - AU)

**STANDARD SERIES**  
 PIPE CLAMPS  
 DIN 3015, PART 1

# C6 Q PROXIMITY SWITCHES RECTANGULAR TYPE



Code	L x L	L1	L2	H	S	Width
C6 Q	40 x 40 (1.57" x 1.57")	71 (2.8")	52 (2.05")	58 (2.28")	1,4 (.05")	30 (1.18")
	40 x 36 (1.57" x 1.42")					

**ORDER EXAMPLE**

C6 Q - 40x40 - PP

Code C6 Q (Material PP)

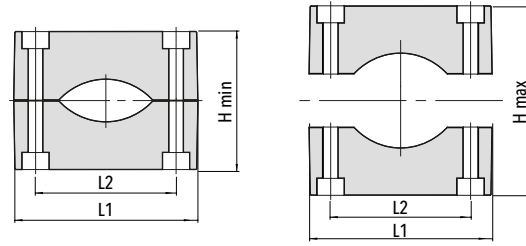
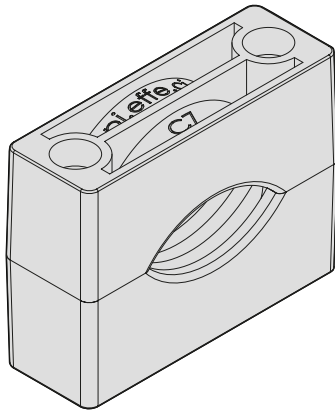




# C7 C CLAMP BODY

CLAMPS WITH OVAL HOLE  
 FOR FIXING ELECTRIC CABLES

TWO CLAMP HALVES



Code	Outside Diameter ØD	L1	L2	H min	H max	Width
C7 C	20 - 50 (.79" - 1.97")	86 (3.39")	66 (2.60")	64 (2.52")	94 (3.70")	30 (1.18")

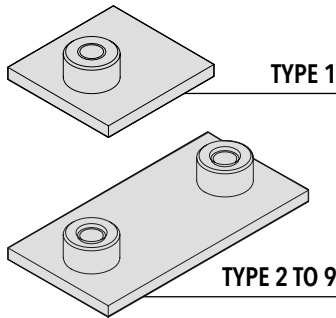
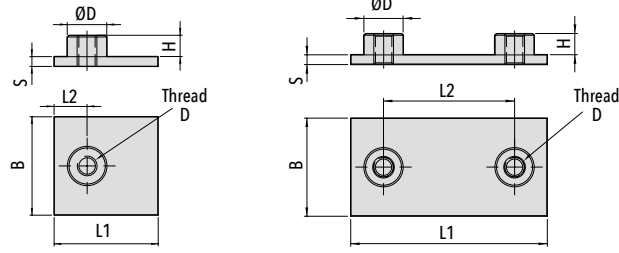
**ORDER EXAMPLE**

C7 C - 20-50 - PP

Code C7 C (Material PP - PA - AU)



# P SINGLE WELD PLATE



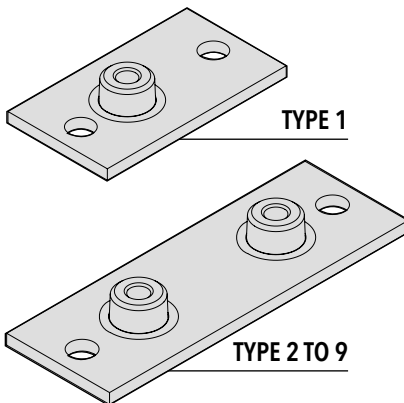
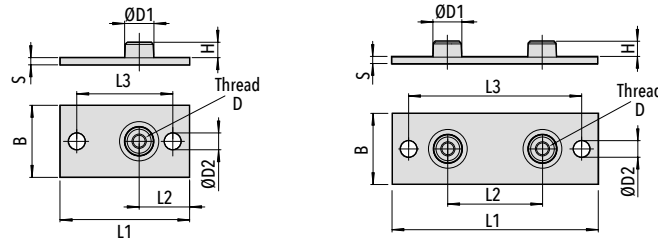
Code P (Carbon Steel S 235 JR)  
Code XP (Stainless Steel AISI 316L)

Code	Thread D	L1	L2	B	S	H	ØD
P1 XP1	M6 (1/4-20 UNC)	31,5 (1.24")	10 (.39")	30 (1.18")	3 (.12")	6,5 (.26")	12 (.47")
P2 XP2	M6 (1/4-20 UNC)	36 (1.42")	20 (.79")	30 (1.18")	3 (.12")	6,5 (.26")	12 (.47")
P3 XP3	M6 (1/4-20 UNC)	42 (1.65")	26 (1.02")	30 (1.18")	3 (.12")	6,5 (.26")	12 (.47")
P4 XP4	M6 (1/4-20 UNC)	50 (1.97")	33 (1.30")	30 (1.18")	3 (.12")	6,5 (.26")	12 (.47")
P5 XP5	M6 (1/4-20 UNC)	60 (2.36")	40 (1.57")	30 (1.18")	3 (.12")	6,5 (.26")	12 (.47")
P6 XP6	M6 (1/4-20 UNC)	71 (2.80")	52 (2.05")	30 (1.18")	3 (.12")	6,5 (.26")	12 (.47")
P7 XP7	M6 (1/4-20 UNC)	88 (3.46")	66 (2.60")	30 (1.18")	3 (.12")	6,5 (.26")	12 (.47")
P8 XP8	M6 (1/4-20 UNC)	122 (4.80")	94 (3.70")	30 (1.18")	5 (.20")	6,5 (.26")	12 (.47")
P9 XP9	M6 (1/4-20 UNC)	148 (5.83")	120 (4.72")	30 (1.18")	5 (.20")	6,5 (.26")	12 (.47")

DIN 3015, PART 1  
PIPE CLAMPS  
**STANDARD SERIES**

# PL ELONGATED PLATE

(WITH SCREWS)



Code PL (Carbon Steel S 235 JR)  
Code XPL (Stainless Steel AISI 316L)

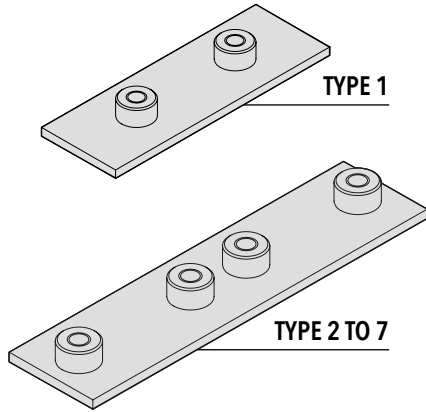
Code	Thread D	L1	L2	L3	B	S	H	ØD1	ØD2
PL1 XPL1	M6 (1/4-20 UNC)	58 (2.28")	24,5 (.96")	44 (1.73")	30 (1.18")	3 (.12")	6,5 (.26")	12 (.47")	7 (.28")
PL2 XPL2	M6 (1/4-20 UNC)	64 (2.52")	20 (0.79")	50 (1.97")	30 (1.18")	3 (.12")	6,5 (.26")	12 (.47")	7 (.28")
PL3 XPL3	M6 (1/4-20 UNC)	70 (2.76")	26 (1.02")	56 (2.20")	30 (1.18")	3 (.12")	6,5 (.26")	12 (.47")	7 (.28")
PL4 XPL4	M6 (1/4-20 UNC)	78 (3.07")	33 (1.30")	64 (2.52")	30 (1.18")	3 (.12")	6,5 (.26")	12 (.47")	7 (.28")
PL5 XPL5	M6 (1/4-20 UNC)	87 (3.43")	40 (1.57")	73 (2.87")	30 (1.18")	3 (.12")	6,5 (.26")	12 (.47")	7 (.28")
PL6 XPL6	M6 (1/4-20 UNC)	100 (3.94")	52 (2.05")	86 (3.39")	30 (1.18")	3 (.12")	6,5 (.26")	12 (.47")	7 (.28")
PL7 XPL7	M6 (1/4-20 UNC)	115 (4.53")	66 (2.60")	100 (3.94")	30 (1.18")	3 (.12")	6,5 (.26")	12 (.47")	7 (.28")
PL8 XPL8	M6 (1/4-20 UNC)	150 (5.91")	94 (3.70")	136 (5.35")	30 (1.18")	5 (.20")	6,5 (.26")	12 (.47")	7 (.28")
PL9 XPL9	M6 (1/4-20 UNC)	178 (7.01")	120 (4.72")	162 (6.38")	30 (1.18")	5 (.20")	6,5 (.26")	12 (.47")	7 (.28")



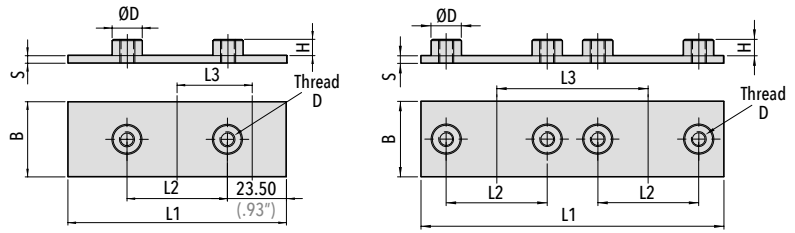


# PD TWIN WELD PLATE

FOR N. 2 CLAMPS



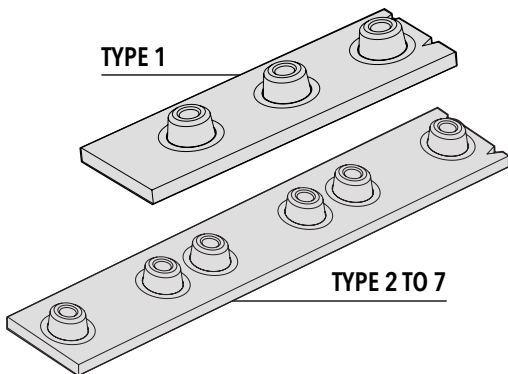
Code PD (Carbon Steel S 235 JR)  
 Code XPD (Stainless Steel AISI 316L)



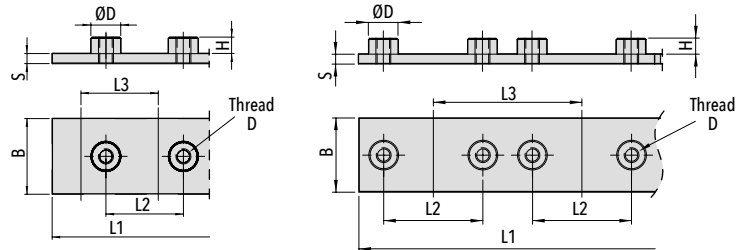
Code	Thread D	L1	L2	L3	B	S	H	ØD
PD1 XPD1	M6 (1/4-20 UNC)	87 (3.43")	40 (1.57")	40 (1.57")	30 (1.18")	3 (.12")	6,5 (.26")	12 (.47")
PD2 XPD2	M6 (1/4-20 UNC)	76 (3")	20 (.79")	38 (1.49")	30 (1.18")	3 (.12")	6,5 (.26")	12 (.47")
PD3 XPD3	M6 (1/4-20 UNC)	88 (3.46")	26 (1.02")	44 (1.73")	30 (1.18")	3 (.12")	6,5 (.26")	12 (.47")
PD4 XPD4	M6 (1/4-20 UNC)	102 (4.02")	33 (1.30")	51 (2")	30 (1.18")	3 (.12")	6,5 (.26")	12 (.47")
PD5 XPD5	M6 (1/4-20 UNC)	120 (4.72")	40 (1.57")	60 (2.36")	30 (1.18")	3 (.12")	6,5 (.26")	12 (.47")
PD6 XPD6	M6 (1/4-20 UNC)	150 (5.90")	52 (2.05")	75 (2.95")	30 (1.18")	3 (.12")	6,5 (.26")	12 (.47")
PD7 XPD7	M6 (1/4-20 UNC)	180 (7.08")	66 (2.60")	90 (3.54")	30 (1.18")	3 (.12")	6,5 (.26")	12 (.47")

22

# PM MULTIPLE WELD PLATE



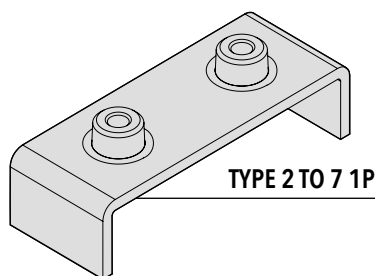
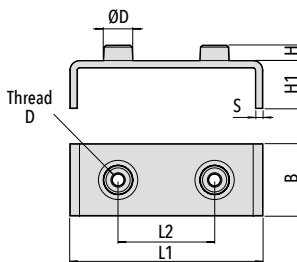
Code PM (Carbon Steel S 235 JR)  
 Code XPM (Stainless Steel AISI 316L)



Code	Thread D	Nr. of Clamps	L1	L2	L3	B	S	H	ØD
PM1 XPM1	M6 (1/4-20 UNC)	10	310 (12.28")	31 (1.22")	31 (1.22")	30 (1.18")	4 (.16")	6,5 (.26")	12 (.47")
PM2 XPM2	M6 (1/4-20 UNC)	10	380 (14.96")	20 (.79")	38 (1.49")	30 (1.18")	4 (.16")	6,5 (.26")	12 (.47")
PM3 XPM3	M6 (1/4-20 UNC)	10	440 (17.32")	26 (1.02")	44 (1.73")	30 (1.18")	4 (.16")	6,5 (.26")	12 (.47")
PM4 XPM4	M6 (1/4-20 UNC)	10	520 (20.47")	33 (1.30")	52 (2.05")	30 (1.18")	4 (.16")	6,5 (.26")	12 (.47")
PM5 XPM5	M6 (1/4-20 UNC)	5	300 (11.81")	40 (1.57")	60 (2.36")	30 (1.18")	4 (.16")	6,5 (.26")	12 (.47")
PM6 XPM6	M6 (1/4-20 UNC)	5	375 (14.76")	52 (2.05")	75 (2.95")	30 (1.18")	4 (.16")	6,5 (.26")	12 (.47")
PM7 XPM7	M6 (1/4-20 UNC)	5	450 (17.72")	66 (2.60")	90 (3.54")	30 (1.18")	4 (.16")	6,5 (.26")	12 (.47")



# PM C 1P SINGLE SPACED PLATE

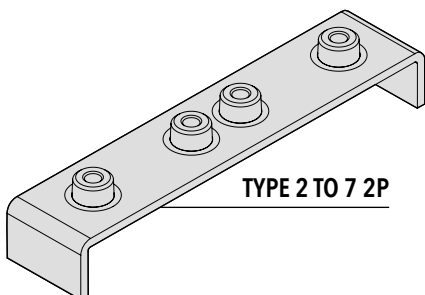
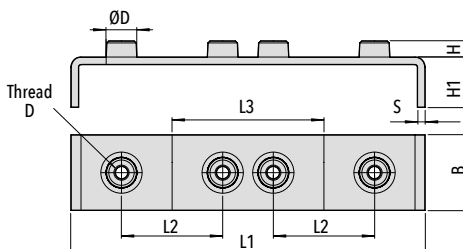


Code **PM C 1P** Carbon Steel S 235 JR)  
Code **XPM C 1P** (Stainless Steel AISI 316L)

Code	Thread D	L1	L2	H	H1	B	S	ØD
<b>PM C2 1P</b> <b>XPM C2 1P</b>	M6 (1/4-20 UNC)	60 (2.36")	20 (.79")	6,5 (.26")	20 (.79")	30 (1.18")	3 (.12")	12 (.47")
<b>PM C3 1P</b> <b>XPM C3 1P</b>	M6 (1/4-20 UNC)	66 (2.60")	26 (1.02")	6,5 (.26")	20 (.79")	30 (1.18")	3 (.12")	12 (.47")
<b>PM C4 1P</b> <b>XPM C4 1P</b>	M6 (1/4-20 UNC)	73 (2.87")	33 (1.30")	6,5 (.26")	20 (.79")	30 (1.18")	3 (.12")	12 (.47")
<b>PM C5 1P</b> <b>XPM C5 1P</b>	M6 (1/4-20 UNC)	80 (3.15")	40 (1.57")	6,5 (.26")	20 (.79")	30 (1.18")	3 (.12")	12 (.47")
<b>PM C6 1P</b> <b>XPM C6 1P</b>	M6 (1/4-20 UNC)	92 (3.62")	52 (2.05")	6,5 (.26")	20 (.79")	30 (1.18")	3 (.12")	12 (.47")
<b>PM C7 1P</b> <b>XPM C7 1P</b>	M6 (1/4-20 UNC)	100 (3.94")	66 (2.60")	6,5 (.26")	20 (.79")	30 (1.18")	3 (.12")	12 (.47")

# PM C 2P MULTIPLE SPACED PLATE

FOR N.2 CLAMPS



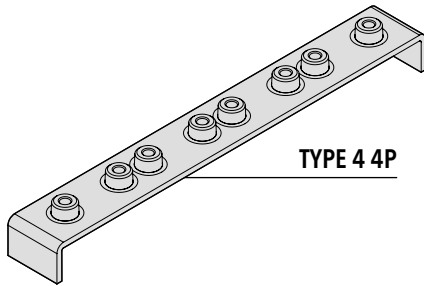
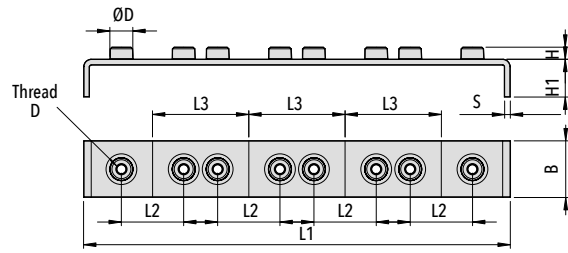
Code **PM C 2P** Carbon Steel S 235 JR)  
Code **XPM C 2P** (Stainless Steel AISI 316L)

Code	Thread D	L1	L2	L3	H	H1	B	S	ØD
<b>PM C2 2P</b> <b>XPM C2 2P</b>	M6 (1/4-20 UNC)	98 (3.86")	20 (.79")	38 (1.50")	6,5 (.26")	20 (.79")	30 (1.18")	3 (.12")	12 (.47")
<b>PM C3 2P</b> <b>XPM C3 2P</b>	M6 (1/4-20 UNC)	110 (4.33")	26 (1.02")	44 (1.73")	6,5 (.26")	20 (.79")	30 (1.18")	3 (.12")	12 (.47")
<b>PM C4 2P</b> <b>XPM C4 2P</b>	M6 (1/4-20 UNC)	124 (4.88")	33 (1.30")	51 (2")	6,5 (.26")	20 (.79")	30 (1.18")	3 (.12")	12 (.47")
<b>PM C5 2P</b> <b>XPM C5 2P</b>	M6 (1/4-20 UNC)	140 (5.51")	40 (1.57")	60 (2.36")	6,5 (.26")	20 (.79")	30 (1.18")	3 (.12")	12 (.47")
<b>PM C6 2P</b> <b>XPM C6 2P</b>	M6 (1/4-20 UNC)	166 (6.53")	52 (2.05")	75 (2.95")	6,5 (.26")	20 (.79")	30 (1.18")	3 (.12")	12 (.47")
<b>PM C7 2P</b> <b>XPM C7 2P</b>	M6 (1/4-20 UNC)	195 (7.68")	66 (2.60")	90 (3.54")	6,5 (.26")	20 (.79")	30 (1.18")	3 (.12")	12 (.47")



# PM C 4P MULTIPLE SPACED PLATE

FOR N.4 CLAMPS

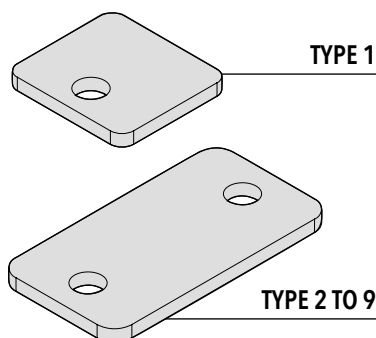
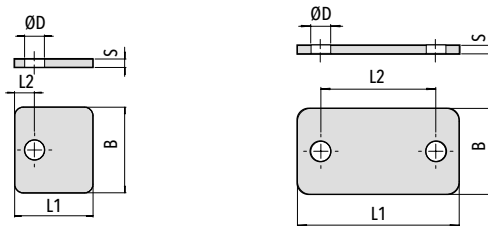


Code	Thread D	L1	L2	L3	H	H1	B	S	ØD
PM C4 4P XPM C4 4P	M6 (1/4-20 UNC)	226 (8.90")	33 (1.30")	51 (2")	6,5 (.26")	20 (.79")	30 (1.18")	3 (.12")	12 (.47")

Code **PM C 4P** Carbon Steel S 235 JR)  
 Code **XPM C 4P** (Stainless Steel AISI 316L)



# PS UPPER PLATE



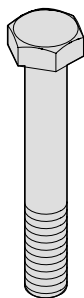
Code	L1	L2	B	S	ØD
<b>PS1</b> <b>XPS1</b>	28 (1.10")	9 (.35")	30 (1.18")	3 (.12")	7 (.28")
<b>PS2</b> <b>XPS2</b>	34,5 (1.36")	20 (.79")	30 (1.18")	3 (.12")	7 (.28")
<b>PS3</b> <b>XPS3</b>	40,5 (1.59")	26 (1.02")	30 (1.18")	3 (.12")	7 (.28")
<b>PS4</b> <b>XPS4</b>	48 (1.89")	33 (1.30")	30 (1.18")	3 (.12")	7 (.28")
<b>PS5</b> <b>XPS5</b>	56,5 (2.22")	40 (1.57")	30 (1.18")	3 (.12")	7 (.28")
<b>PS6</b> <b>XPS6</b>	69,5 (2.74")	52 (2.05")	30 (1.18")	3 (.12")	7 (.28")
<b>PS7</b> <b>XPS7</b>	85,5 (3.36")	66 (2.60")	30 (1.18")	3 (.12")	7 (.28")
<b>PS8</b> <b>XPS8</b>	118 (4.65")	94 (3.70")	30 (1.18")	5 (.20")	7 (.28")
<b>PS9</b> <b>XPS9</b>	144 (5.67")	120 (4.72")	30 (1.18")	5 (.20")	7 (.28")

Code PS (Carbon Steel S 235 JR)  
Code XPS (Stainless Steel AISI 316L)

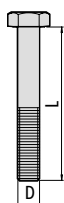
DIN 3015, PART 1  
**PIPE CLAMPS**  
**STANDARD SERIES**

# VE HEXAGON HEAD BOLT

ISO 4014 / 4017  
FOR USE WITH UPPER PLATE PS



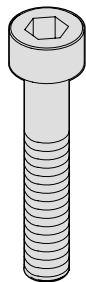
Code VE (Steel 8.8)  
Code XVE (Stainless Steel A4)



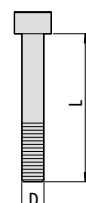
Code	Thread (D x L)
<b>VE1</b> <b>XVE1</b>	M6x30 (1/4-20 UNCx1.1/4")
<b>VE2</b> <b>XVE2</b>	M6x30 (1/4-20 UNCx1.1/4")
<b>VE3</b> <b>XVE3</b>	M6x35 (1/4-20 UNCx1.3/8")
<b>VE4</b> <b>XVE4</b>	M6x40 (1/4-20 UNCx1.1/2")
<b>VE5</b> <b>XVE5</b>	M6x45 (1/4-20 UNCx1.7/8")
<b>VE6</b> <b>XVE6</b>	M6x60 (1/4-20 UNCx2.3/8")
<b>VE7</b> <b>XVE7</b>	M6x70 (1/4-20 UNCx2.3/4")
<b>VE8</b> <b>XVE8</b>	M6x100 (1/4-20 UNCx4")
<b>VE9</b> <b>XVE9</b>	M6x125 (1/4-20 UNCx4.7/8")

# TCEI SOCKET CAP SCREW

ISO 4762



Code TCEI (Steel 8.8)  
Code XTCEI (Stainless Steel AISI 316L)

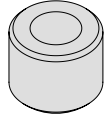
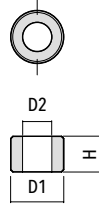


Code	Thread (D x L)
<b>TCEI1</b> <b>XTCEI1</b>	M6x20 (1/4-20 UNCx3/4")
<b>TCEI2</b> <b>XTCEI2</b>	M6x20 (1/4-20 UNCx3/4")
<b>TCEI3</b> <b>XTCEI3</b>	M6x25 (1/4-20 UNCx1")
<b>TCEI4</b> <b>XTCEI4</b>	M6x30 (1/4-20 UNCx1.1/8")
<b>TCEI5</b> <b>XTCEI5</b>	M6x35 (1/4-20 UNCx1.3/8")
<b>TCEI6</b> <b>XTCEI6</b>	M6x50 (1/4-20 UNCx2")
<b>TCEI7</b> <b>XTCEI7</b>	M6x60 (1/4-20 UNCx2.1/2")
<b>TCEI8</b> <b>XTCEI8</b>	M6x90 (1/4-20 UNCx3.3/8")
<b>TCEI9</b> <b>XTCEI9</b>	M6x110 (1/4-20 UNCx4.3/8")



# B BUSHING

FOR USE WITH HEXAGON HEAD BOLT **VEB**  
 (NO UPPER PLATE)



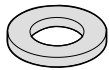
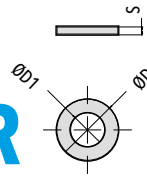
FOR CLAMPS **C1 TO C7**  
 AND **AC1 TO AC7**

Code	D1	D2	H
<b>B</b> <b>XB</b>	11,5 (.45")	6,5 (.26")	8 (.31")

**Code B** (Carbon Steel S 235 JR) - **Code XB** (Stainless Steel AISI 316L)

# RP FLAT WASHER

FOR USE WITH SCREW **TCEI / VA**



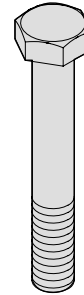
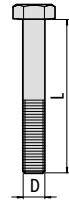
FOR CLAMPS **C1 TO C9**  
 AND **AC1 TO AC7**

Code	ØD	ØD1	S
<b>RP</b> <b>XRP</b>	11,5 (.45")	6,3 (.25")	0,8 (.03")

**Code RP** (Carbon Steel S 235 JR) - **Code XRP** (Stainless Steel AISI 316L)

# VEB HEXAGON HEAD BOLT

FOR USE WITH BUSHING **B**



**Code VEB** (Steel 8.8)

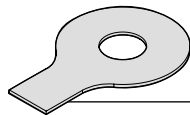
**Code XVEB** (Stainless Steel A4)

Code	Thread (D x L)
<b>VEB1</b> <b>XVEB1</b>	M6x27 (1/4-20 UNCx1.1/8")
<b>VEB2</b> <b>XVEB2</b>	M6x27 (1/4-20 UNCx1.1/8")
<b>VEB3</b> <b>XVEB3</b>	M6x32 (1/4-20 UNCx1.3/8")
<b>VEB4</b> <b>XVEB4</b>	M6x35 (1/4-20 UNCx1.3/8")
<b>VEB5</b> <b>XVEB5</b>	M6x42 (1/4-20 UNCx1.5/8")
<b>VEB6</b> <b>XVEB6</b>	M6x57 (1/4-20 UNCx2.3/8")
<b>VEB7</b> <b>XVEB7</b>	M6x65 (1/4-20 UNCx2.3/4")

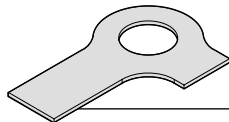
26

# RS / RSL SAFETY WASHER

FOR USE WITH HEXAGON HEAD BOLT  
**VE / VEB**



**RS/XRS**  
**DIN 93**



**RSL/XRSL**  
**DIN 463**

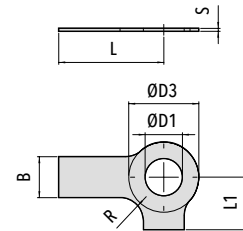
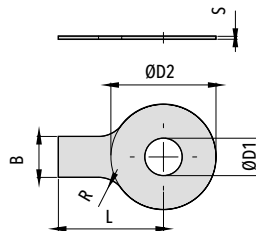
FOR CLAMPS **C1 TO C9**  
 AND **AC1 TO AC7**

**Code RS 6,4 DIN 93** (Carbon Steel S 235 JR)

**Code XRS 6,4 DIN 93** (Stainless Steel A4)

**Code RSL 6,4 DIN 463** (Carbon Steel S 235 JR)

**Code XRSL 6,4 DIN 463** (Stainless Steel A4)

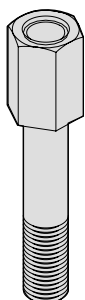


Code	ØD1	B	ØD2	ØD3	L	L1	R	S
<b>RS</b> <b>XRS</b>	6,4 (.25")	7 (.28")	19 (.75")	12 (.47")	18 (.71")	9 (.35")	4 (.16")	0,5 (.02")
<b>RSL</b> <b>XRSL</b>								

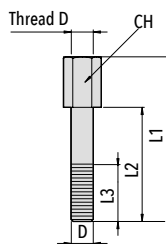


# VA HIGH HEXAGON HEAD BOLT

FOR STACKED CLAMPS



Code VA (Carbon Steel S 235 JR)  
Code XVA (Stainless Steel AISI 316L)

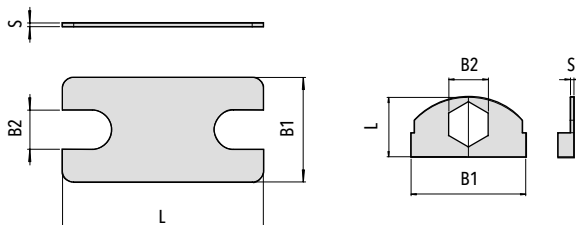
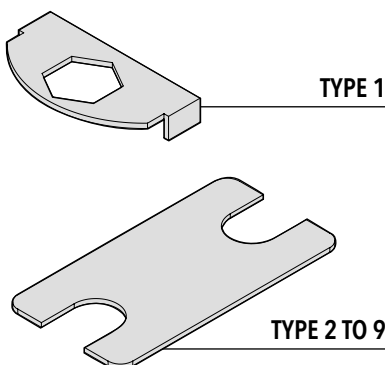


Code	Thread D	L1	L2	L3	CH
VA1 XVA1	M6 (1/4-20 UNC)	34 (1.34")	20 (.79")	14 (.55")	11 (.43")
VA2 XVA2	M6 (1/4-20 UNC)	34 (1.34")	20 (.79")	14 (.55")	11 (.43")
VA3 XVA3	M6 (1/4-20 UNC)	39 (1.53")	25 (.98")	14 (.55")	11 (.43")
VA4 XVA4	M6 (1/4-20 UNC)	43 (1.70")	29 (1.14")	14 (.55")	11 (.43")
VA5 XVA5	M6 (1/4-20 UNC)	49 (1.93")	35 (1.38")	14 (.55")	11 (.43")
VA6 XVA6	M6 (1/4-20 UNC)	64 (2.52")	50 (1.97")	14 (.55")	11 (.43")
VA7 XVA7	M6 (1/4-20 UNC)	73 (2.87")	59 (2.32")	14 (.55")	11 (.43")
VA8 XVA8	M6 (1/4-20 UNC)	99 (3.90")	85 (3.35")	14 (.55")	11 (.43")
VA9 XVA9	M6 (1/4-20 UNC)	124 (4.88")	110 (4.33")	14 (.55")	11 (.43")

STANDARD SERIES  
 PIPE CLAMPS  
 DIN 3015, PART 1

# PB LOCKING PLATE

FOR STACKED CLAMPS



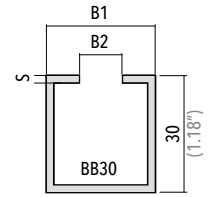
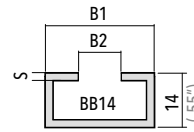
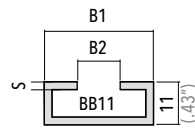
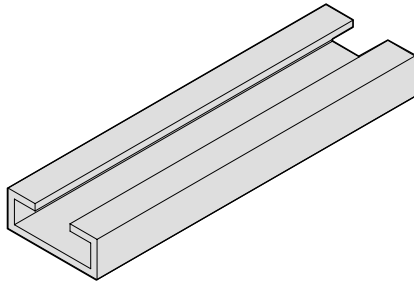
Code	L	B1	B2	S
PB1 XPB1	17 (.67")	32 (1.26")	11,2 (.44")	1 (.04")
PB2 XPB2	33 (1.30")	28 (1.10")	11,2 (.44")	1 (.04")
PB3 XPB3	39 (1.54")	28 (1.10")	11,2 (.44")	1 (.04")
PB4 XPB4	47 (1.85")	28 (1.10")	11,2 (.44")	1 (.04")
PB5 XPB5	54 (2.12")	28 (1.10")	11,2 (.44")	1 (.04")
PB6 XPB6	66 (2.60")	28 (1.10")	11,2 (.44")	1 (.04")
PB7 XPB7	80,3 (3.16")	28 (1.10")	11,2 (.44")	1 (.04")
PB8 XPB8	117 (4.61")	28 (1.10")	11,2 (.44")	1 (.04")
PB9 XPB9	143 (5.63")	28 (1.10")	11,2 (.44")	1 (.04")

Code PB (Carbon Steel S 235 JR)  
Code XPB (Stainless Steel AISI 316L)



# BB MOUNTING RAIL

AVAILABLE HEIGHTS 11 / 14 / 30 mm  
 AVAILABLE LENGTH 2 m



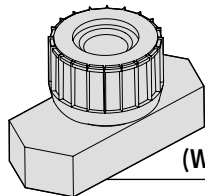
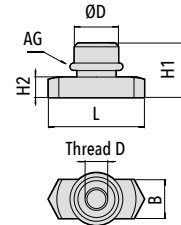
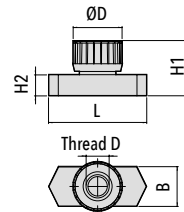
Code	B1	B2	S
<b>BB</b> XBB	28 (1.10")	11 (.43")	2 (.08")

Code **BB** (Steel DX51D)

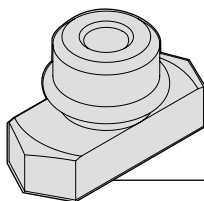
Code **XBB** (Stainless Steel AISI 316L)

28

# DF+AG / DF-C RAIL NUT WITH RUBBER RING



**DF-C**  
 (WITH RUBBER CAP)

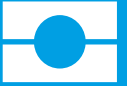


**DF+AG**

Code	Thread D	L	B	H1	H2	ØD	AG
<b>DF/DF-C</b> XDF	M6 (1/4-20 UNC)	25,5 (1")	10,4 (.41")	14,5 (.57")	5,5 (.22")	11,8 (.46")	10x2,2 (.39"x.08")

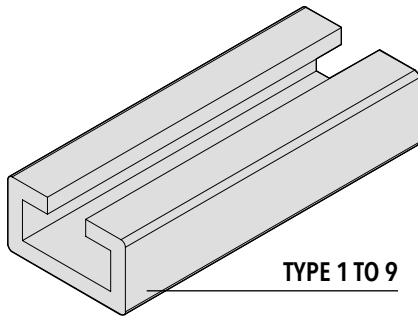
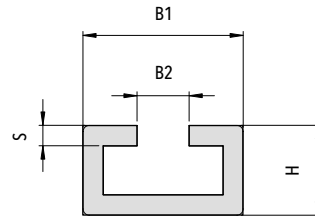
Code **DF / DF-C** (Steel C20)

Code **XDF** (Stainless Steel AISI 316L)



# BB P MOUNTING HEAVY RAIL

AVAILABLE LENGTHS 1 m / 2 m



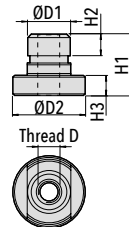
Code	B1	B2	H	S
<b>BB P</b> <b>XBB P</b>	40 (1.57")	13 (.51")	22 (.86")	5 (.19")

Code **BB P** (Carbon Steel S 235 JR)  
Code **XBB P** (Stainless Steel AISI 316L)

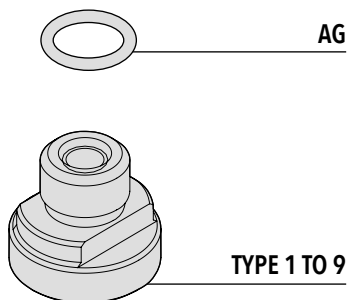
STANDARD SERIES  
 PIPE CLAMPS  
 DIN 3015, PART 1

# DF PS+AG RAIL NUT WITH RUBBER RING

FOR MOUNTING HEAVY RAIL



29



Code	ØD1	ØD2	H1	H2	H3	Thread D	AG
<b>DF PS</b> <b>XDF PS</b> <b>+ AG</b>	11,8 (.46")	20 (.79")	17 (.67")	6 (.24")	5,6 (.22")	M6 (1/4-20 UNC)	10x2,2 (.39"x.08")

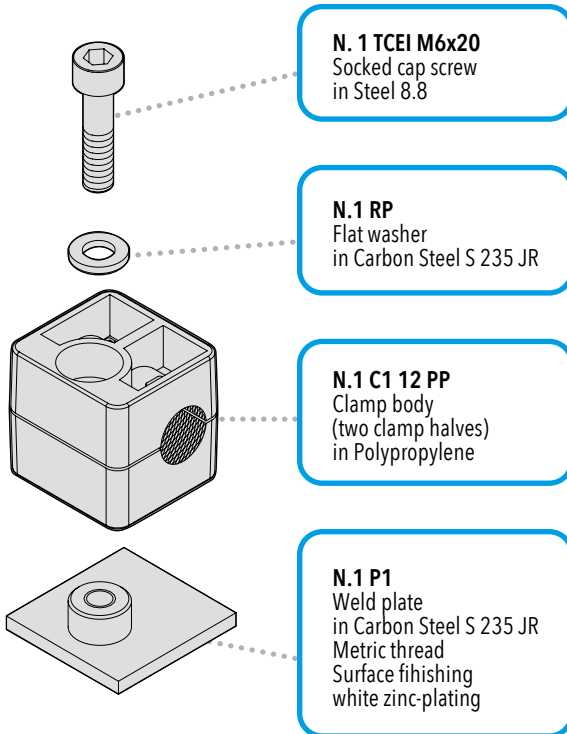
Code **DF PS** (Carbon Steel S 235 JR)  
Code **XDF PS** (Stainless Steel AISI 316L)





### MOUNTING EXAMPLE 01

Complete clamp C1 type in Polypropylene for pipe with outside diameter of 12 mm with single weld plate.



**N. 1 TCEI M6x20**  
 Socked cap screw  
 in Steel 8.8

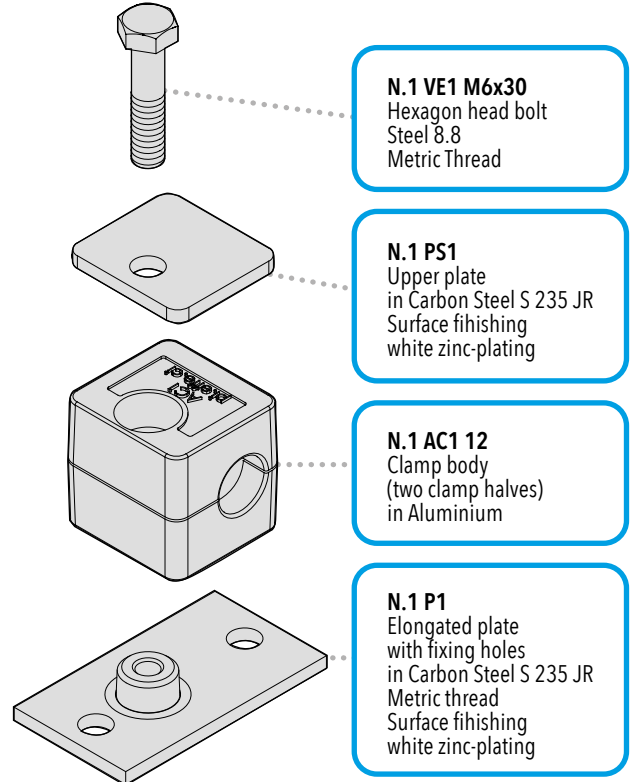
**N.1 RP**  
 Flat washer  
 in Carbon Steel S 235 JR

**N.1 C1 12 PP**  
 Clamp body  
 (two clamp halves)  
 in Polypropylene

**N.1 P1**  
 Weld plate  
 in Carbon Steel S 235 JR  
 Metric thread  
 Surface finishing  
 white zinc-plating

### MOUNTING EXAMPLE 02

Complete Aluminium clamp AC1 type for pipe with outside diameter of 12 mm with elongated plate with fixing holes and upper plate.



**N.1 VE1 M6x30**  
 Hexagon head bolt  
 Steel 8.8  
 Metric Thread

**N.1 PS1**  
 Upper plate  
 in Carbon Steel S 235 JR  
 Surface finishing  
 white zinc-plating

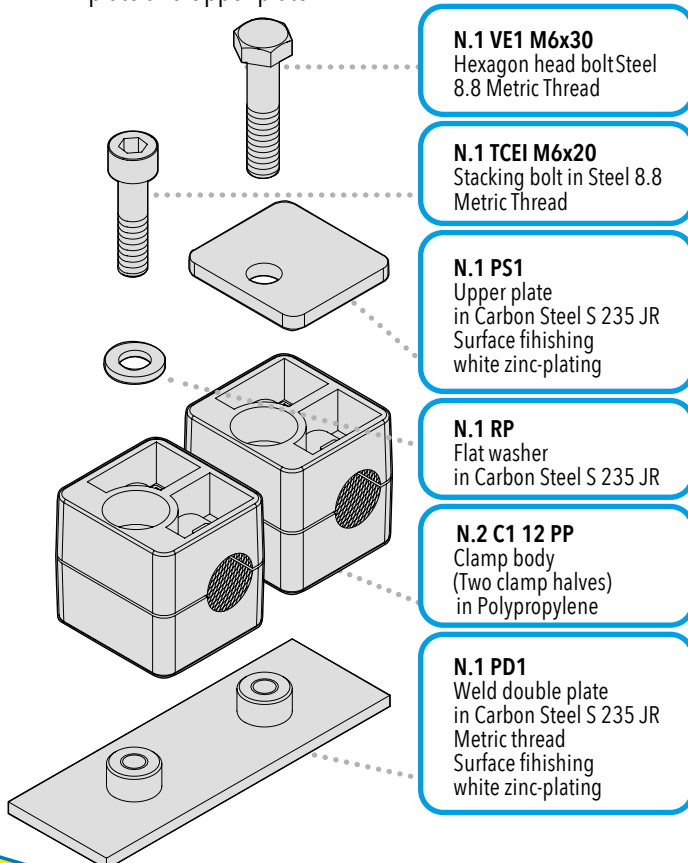
**N.1 AC1 12**  
 Clamp body  
 (two clamp halves)  
 in Aluminium

**N.1 P1**  
 Elongated plate  
 with fixing holes  
 in Carbon Steel S 235 JR  
 Metric thread  
 Surface finishing  
 white zinc-plating

30

### MOUNTING EXAMPLE 03

Complete clamp C1 type side by side in Polypropylene for pipe with outside diameter of 12 mm, with double weld plate and upper plate.



**N.1 VE1 M6x30**  
 Hexagon head bolt Steel  
 8.8 Metric Thread

**N.1 TCEI M6x20**  
 Stacking bolt in Steel 8.8  
 Metric Thread

**N.1 PS1**  
 Upper plate  
 in Carbon Steel S 235 JR  
 Surface finishing  
 white zinc-plating

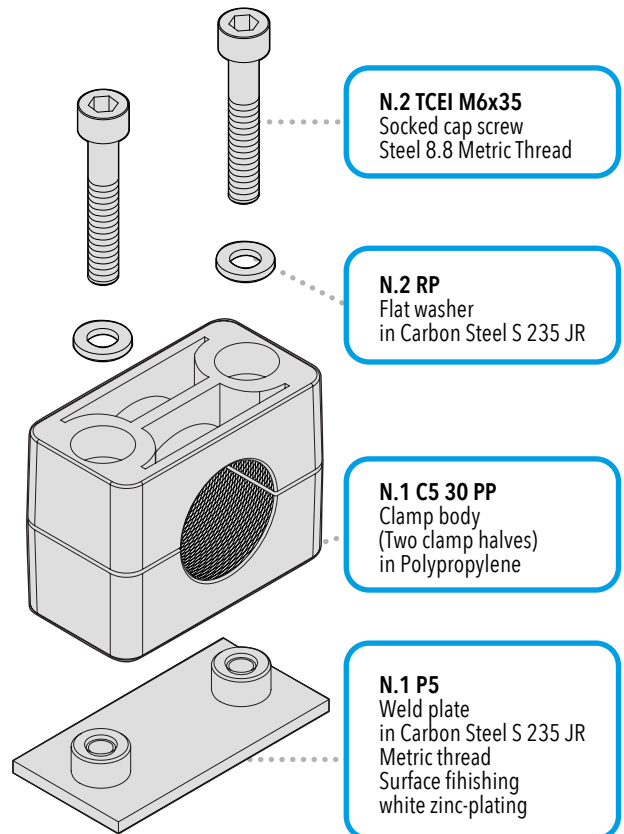
**N.1 RP**  
 Flat washer  
 in Carbon Steel S 235 JR

**N.2 C1 12 PP**  
 Clamp body  
 (Two clamp halves)  
 in Polypropylene

**N.1 PD1**  
 Weld double plate  
 in Carbon Steel S 235 JR  
 Metric thread  
 Surface finishing  
 white zinc-plating

### MOUNTING EXAMPLE 04

Complete clamp C5 in Polypropylene for pipe with outside diameter of 30 mm, with single weld plate.



**N.2 TCEI M6x35**  
 Socked cap screw  
 Steel 8.8 Metric Thread

**N.2 RP**  
 Flat washer  
 in Carbon Steel S 235 JR

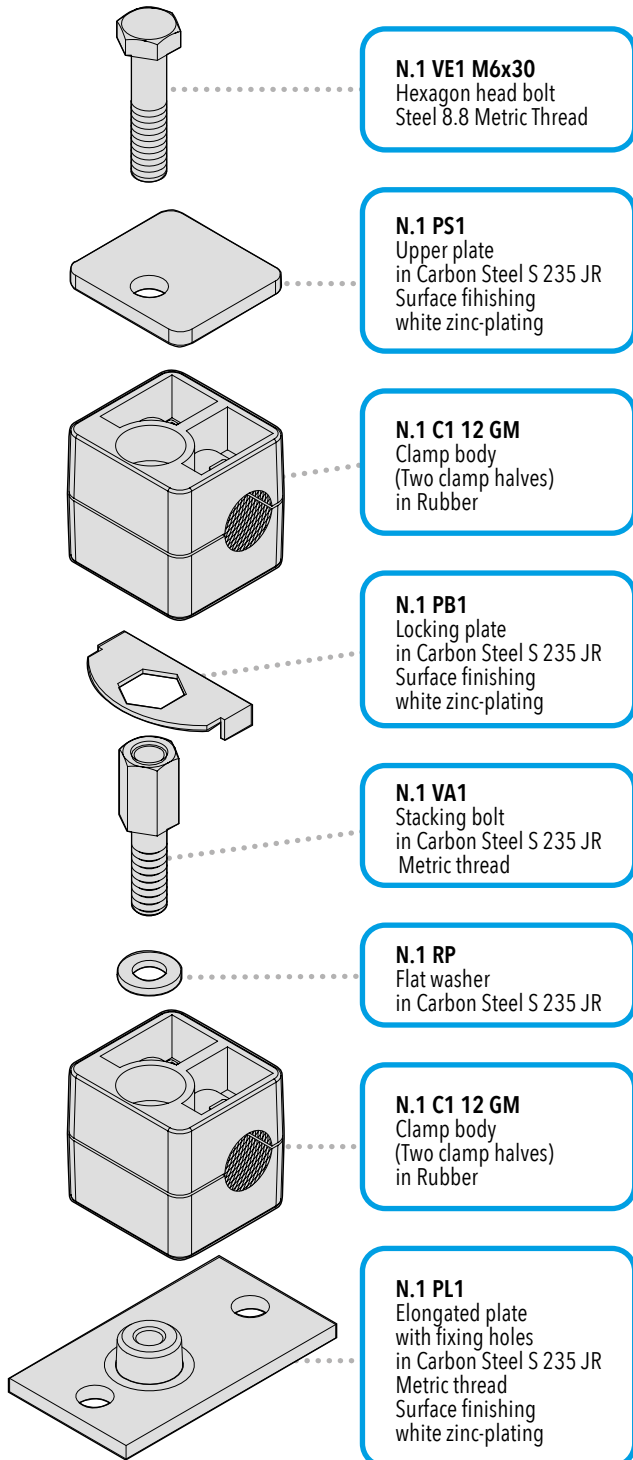
**N.1 C5 30 PP**  
 Clamp body  
 (Two clamp halves)  
 in Polypropylene

**N.1 P5**  
 Weld plate  
 in Carbon Steel S 235 JR  
 Metric thread  
 Surface finishing  
 white zinc-plating



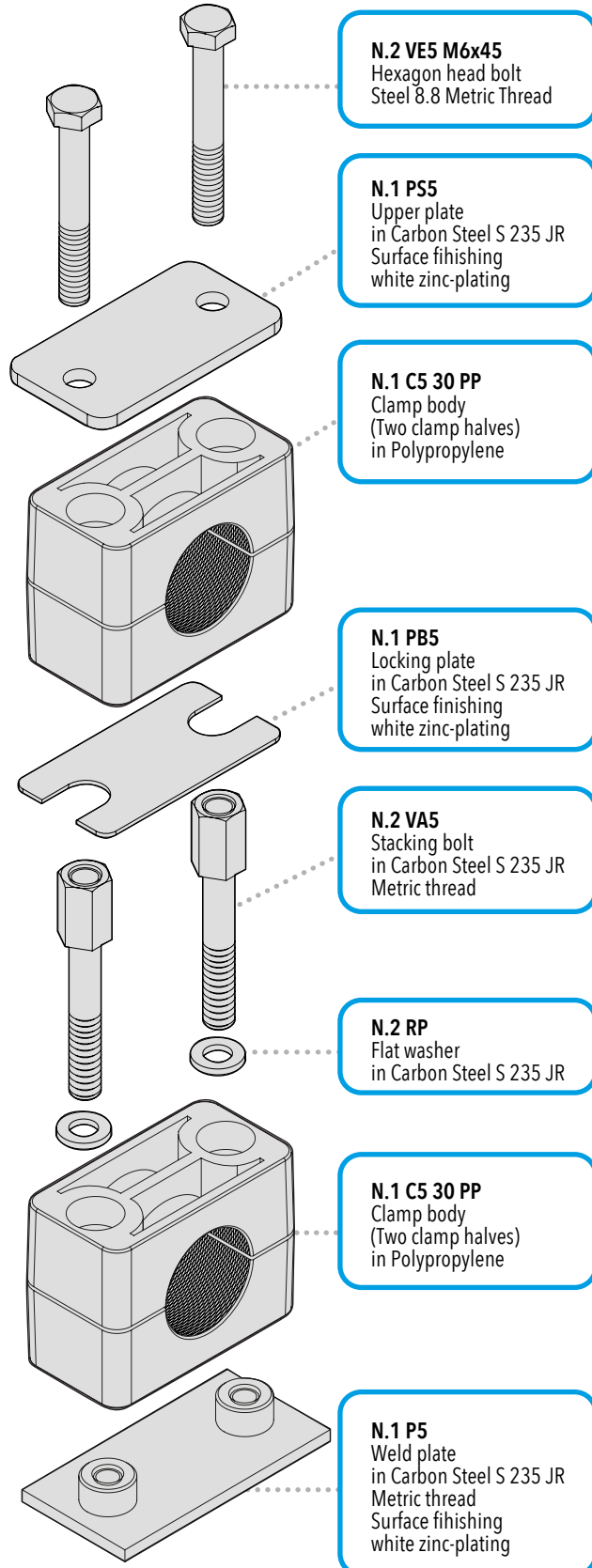
## MOUNTING EXAMPLE 05

Complete stacked clamp C1 in Rubber for pipe with outside diameter of 12 mm, elongated plate with fixing holes and upper plate.



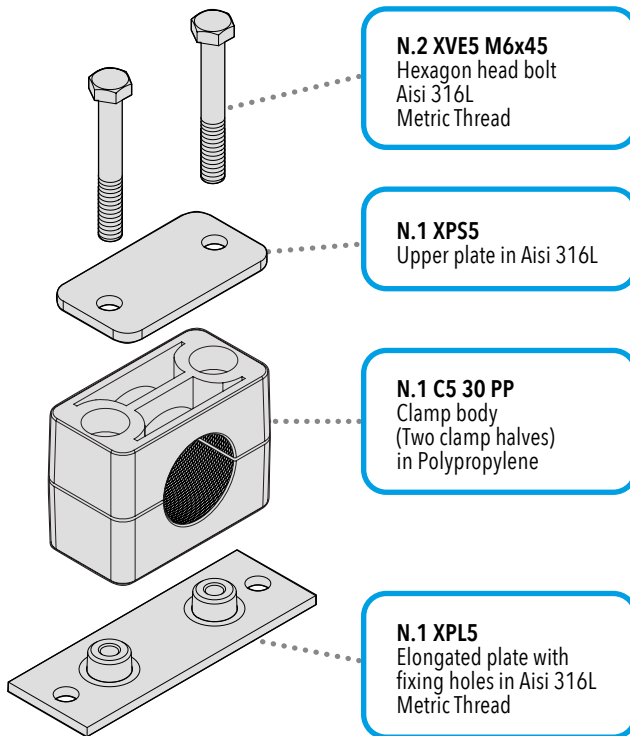
## MOUNTING EXAMPLE 06

Complete stacked clamp C5 in Polypropylene for pipe with outside diameter of 30mm single weld plate and upper plate.

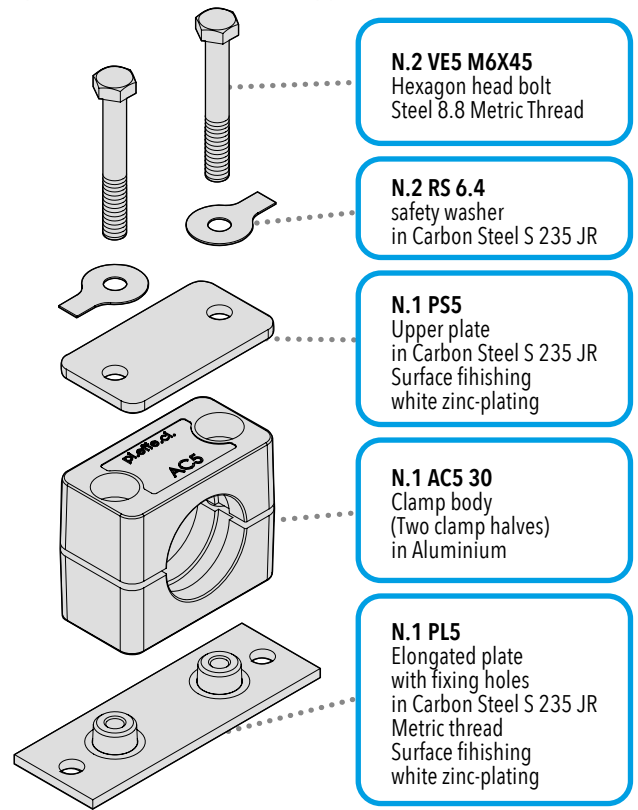


**MOUNTING EXAMPLE 07**

Mounting Example of complete clamp C5 in Polypropylene for pipe with outside diameter of 30 mm, elongated plate with fixing holes and upper plate.

**MOUNTING EXAMPLE 08**

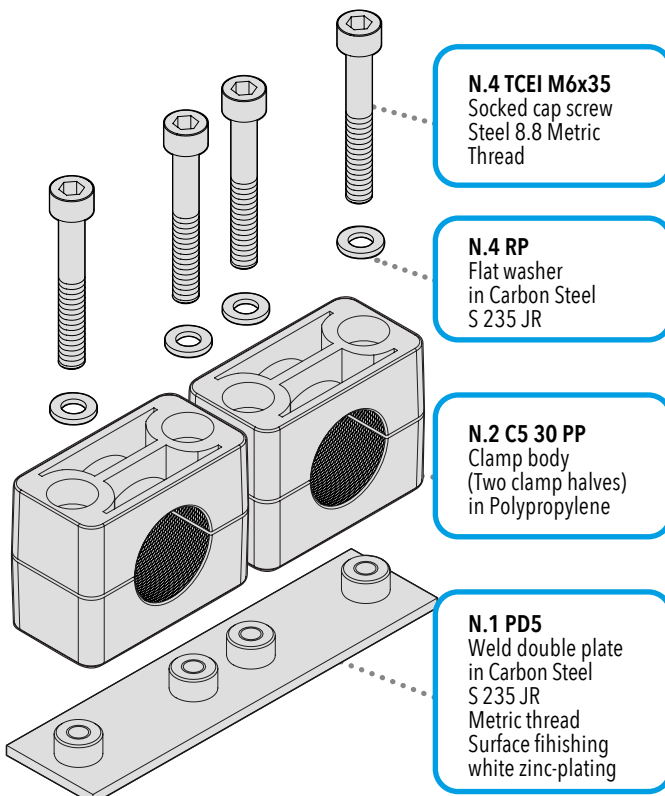
Mounting Example of complete clamp C5 in Aluminium for pipe with outside diameter of 30 mm, elongated plate with fixing holes and upper plate.



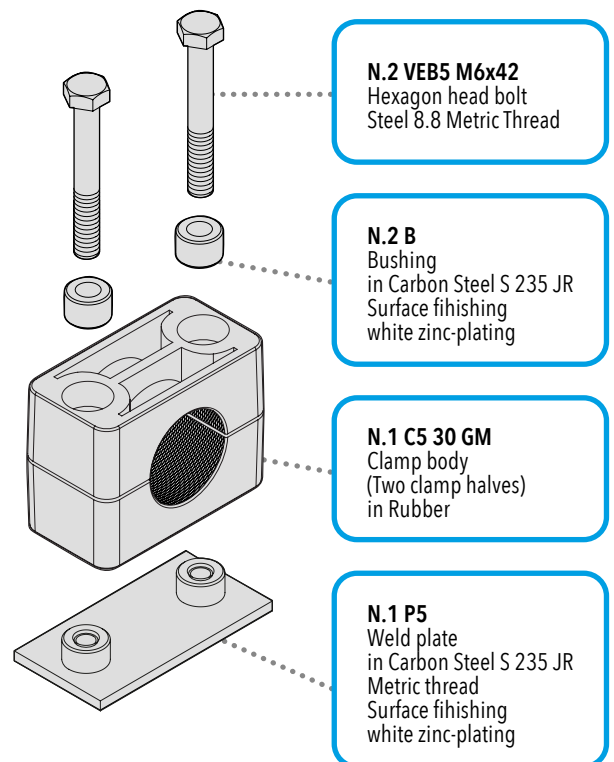
32

**MOUNTING EXAMPLE 09**

Mounting Example of complete clamp C5 type side by side in Polypropylene for pipe with outside diameter of 30 mm, with double weld plate.

**MOUNTING EXAMPLE 10**

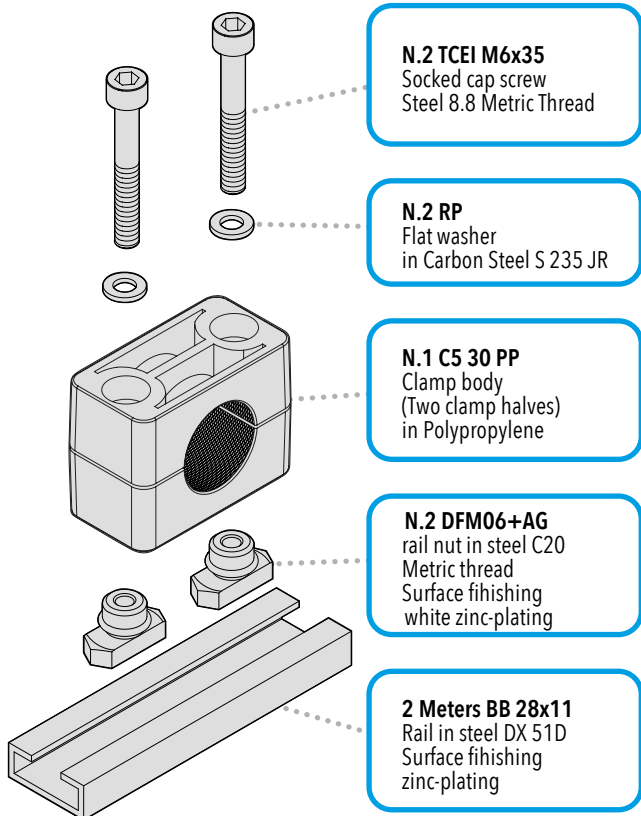
Mounting Example of complete clamp C5 in Rubber for pipe with outside diameter of 30mm, with single weld plate with bushing.





### MOUNTING EXAMPLE 11

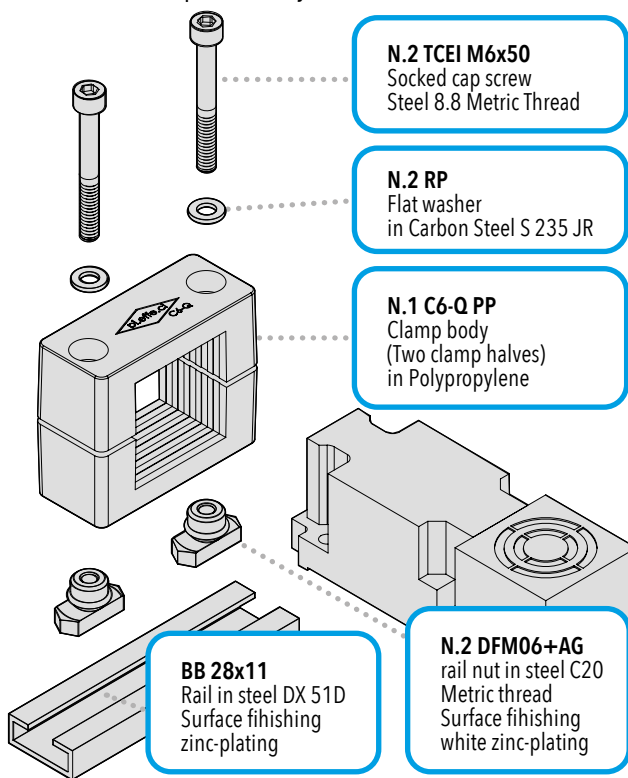
Mounting Example of complete clamp C5 in Polypropylene for pipe with outside diameter of 30 mm, mounting rail nut.



### MOUNTING EXAMPLE 12

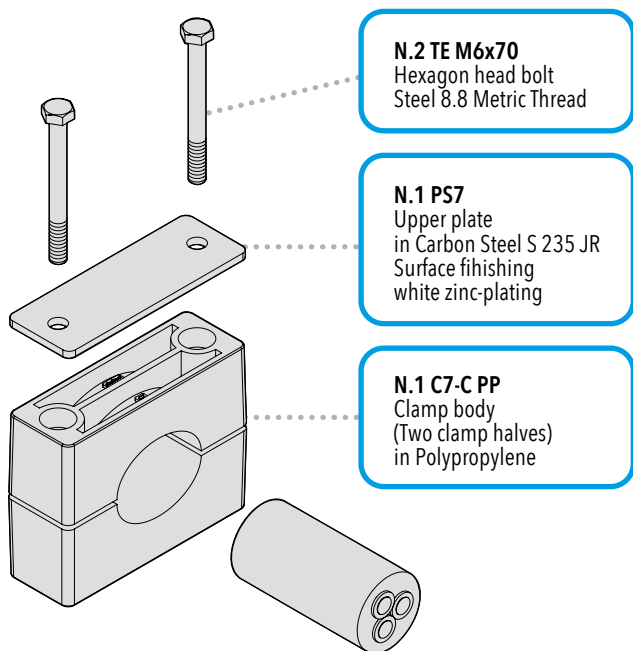
Proximity switches Rectangular type. Mounting clamp type C6Q and accessories standard series.

We recommend the use of the rail for the axial and horizontal position adjustment.



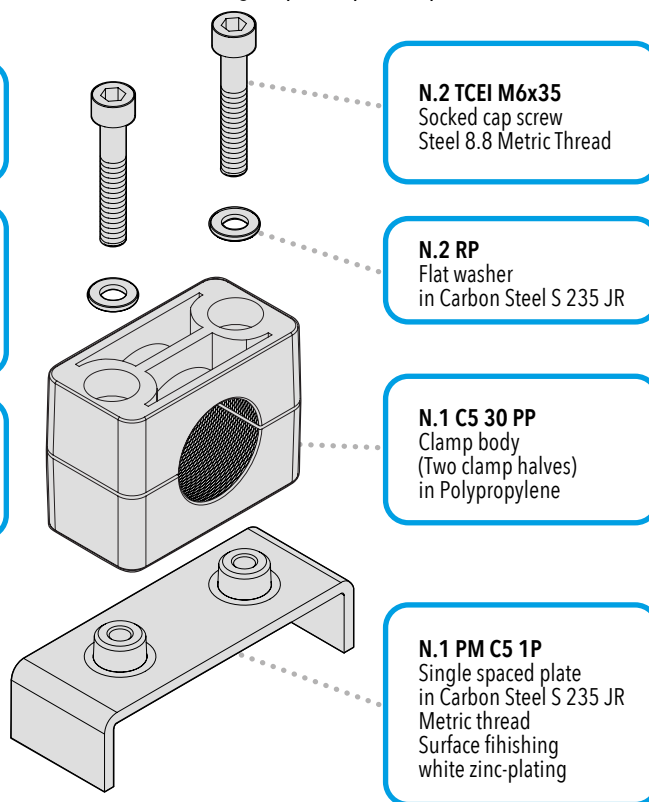
### MOUNTING EXAMPLE 13

Clamps with oval hole for fixing electric cables.  
Clamp type **C7** for the standard series for cable diameters between 20 and 50 mm.



### MOUNTING EXAMPLE 14

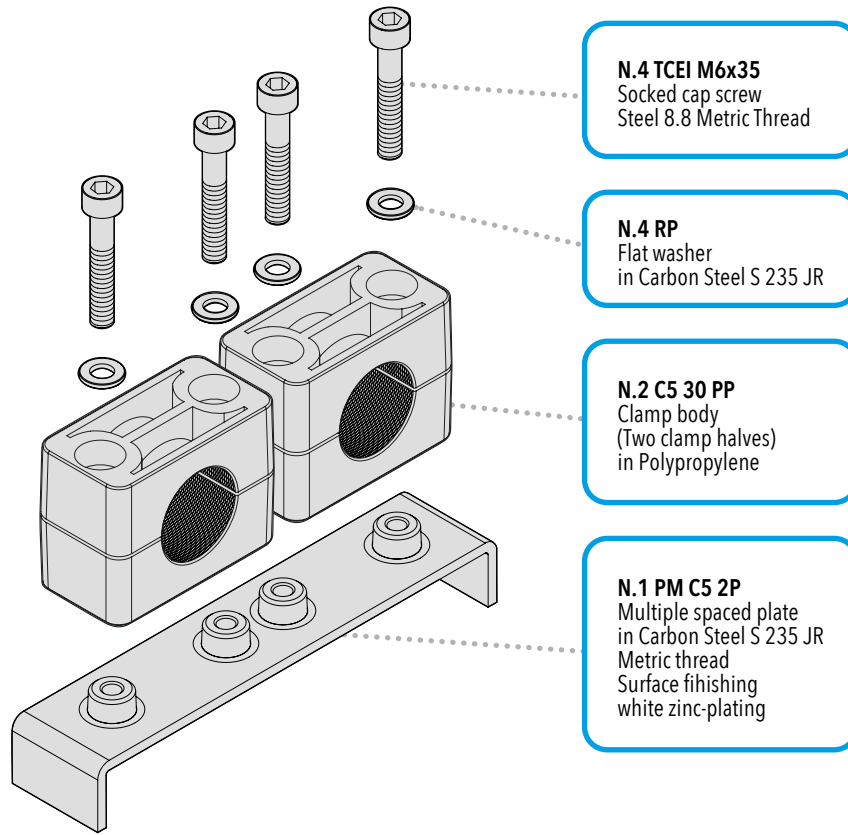
Mounting Example of complete clamp C5 in Polypropylene for pipe with outside diameter of 30 mm, with single spaced plate 1 position.





## MOUNTING EXAMPLE 15

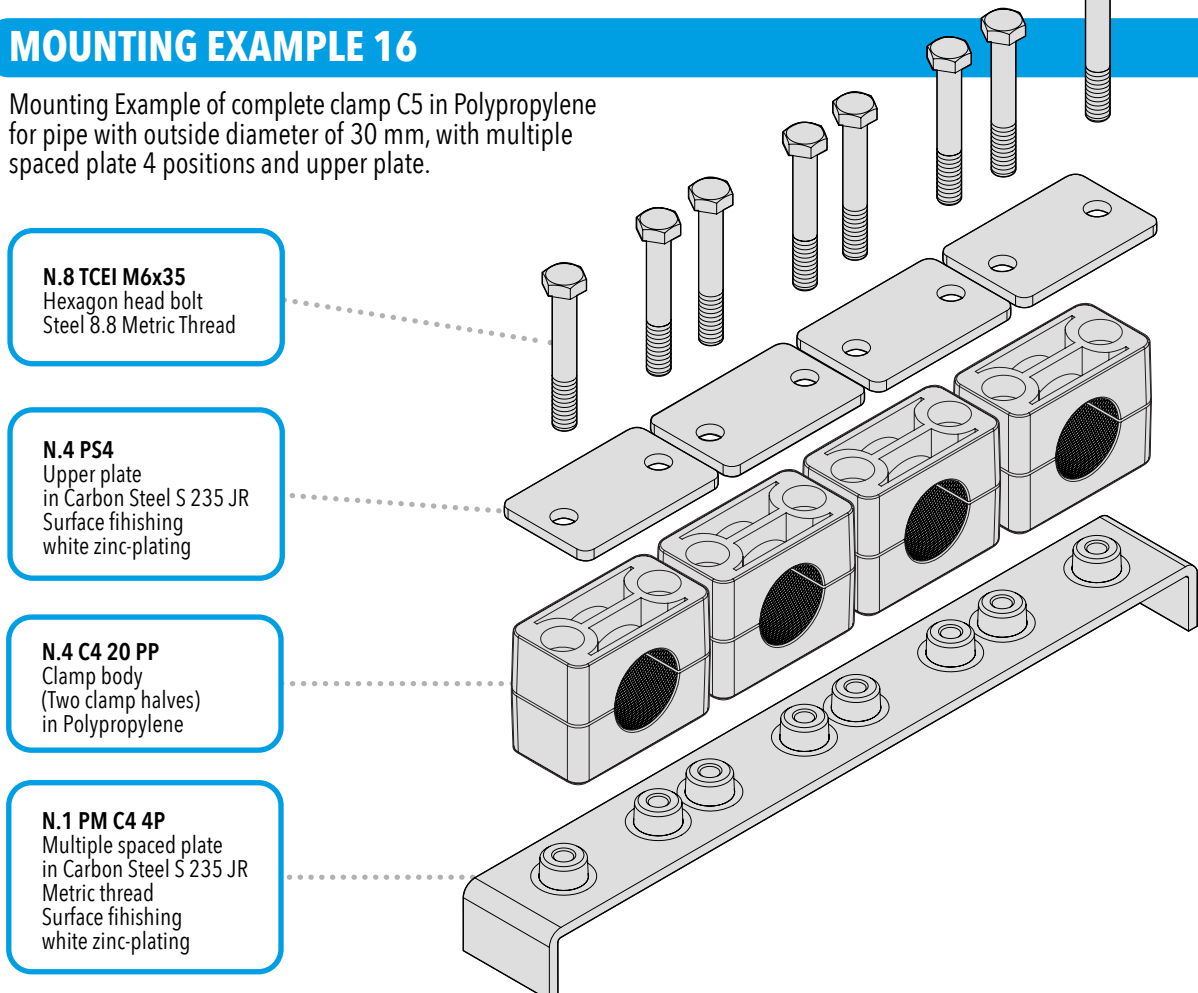
Mounting Example of complete clamp C5 in Polypropylene for pipe with outside diameter of 30 mm, with multiple spaced plate 2 positions.



34

## MOUNTING EXAMPLE 16

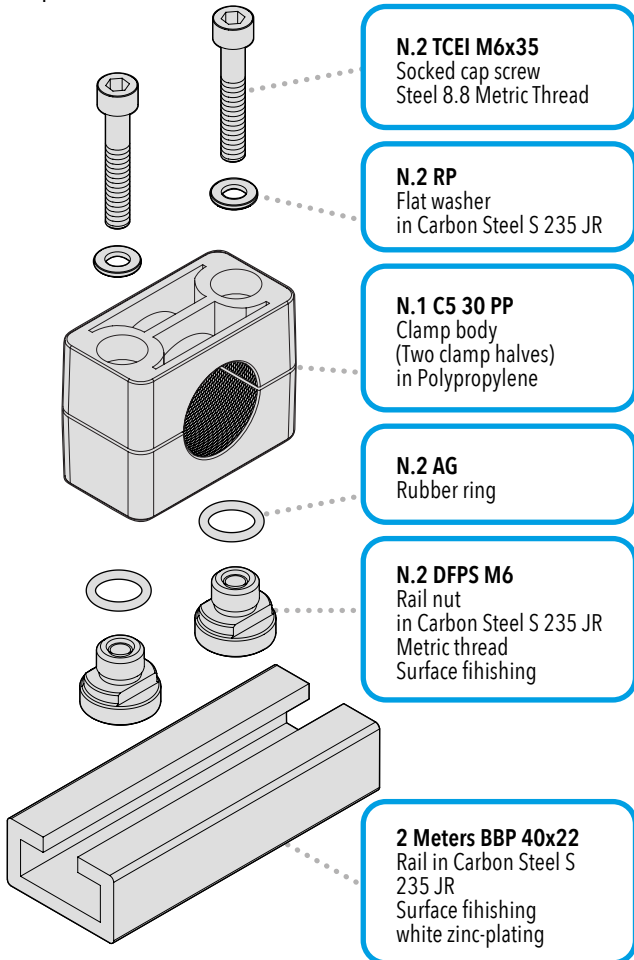
Mounting Example of complete clamp C5 in Polypropylene for pipe with outside diameter of 30 mm, with multiple spaced plate 4 positions and upper plate.





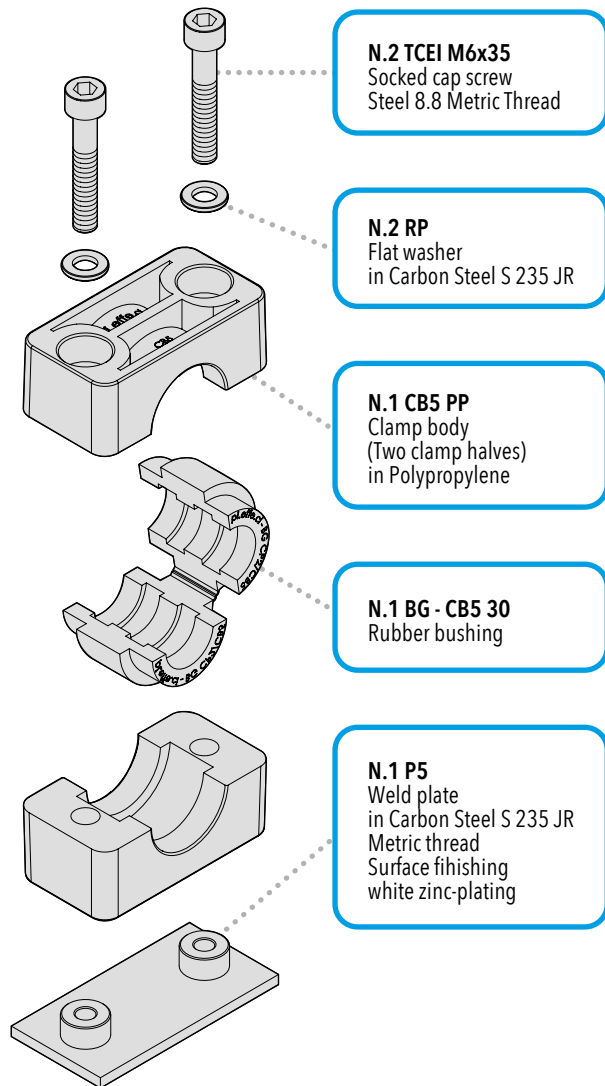
### MOUNTING EXAMPLE 17

Mounting Example of complete clamp C5 in Polypropylene for pipe with outside diameter of 30 mm, mounting special rail nut.



### MOUNTING EXAMPLE 18

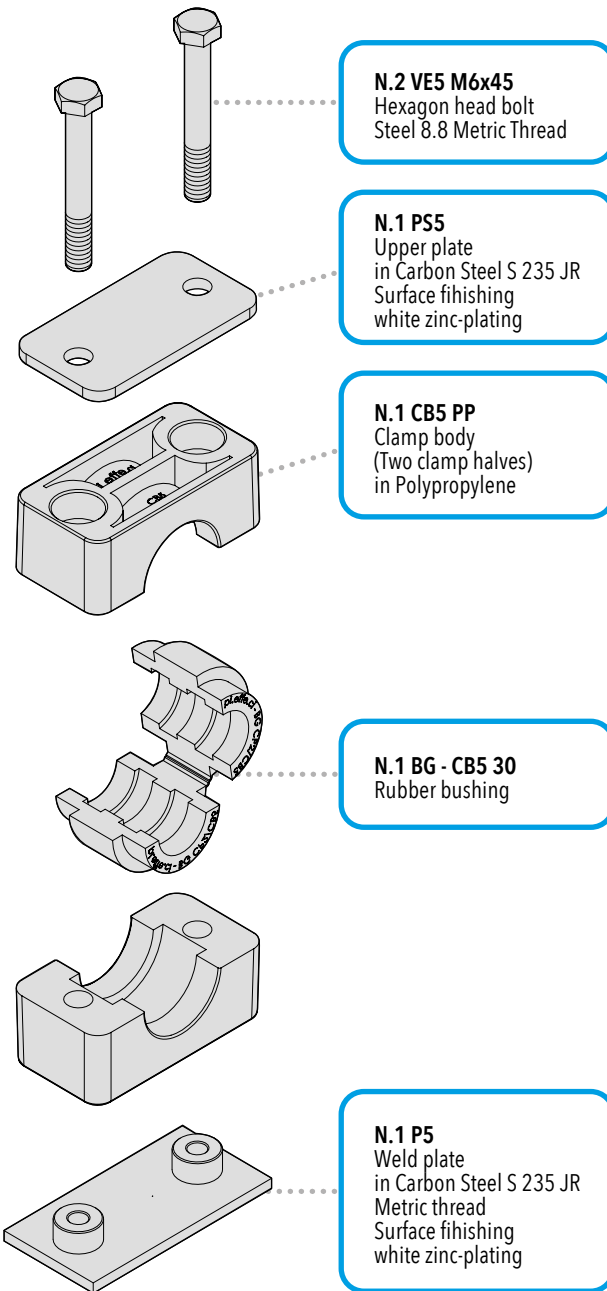
Mounting Example of complete clamp CB5 in Polypropylene with rubber bushing for pipe with outside diameter of 30 mm, single weld plate..





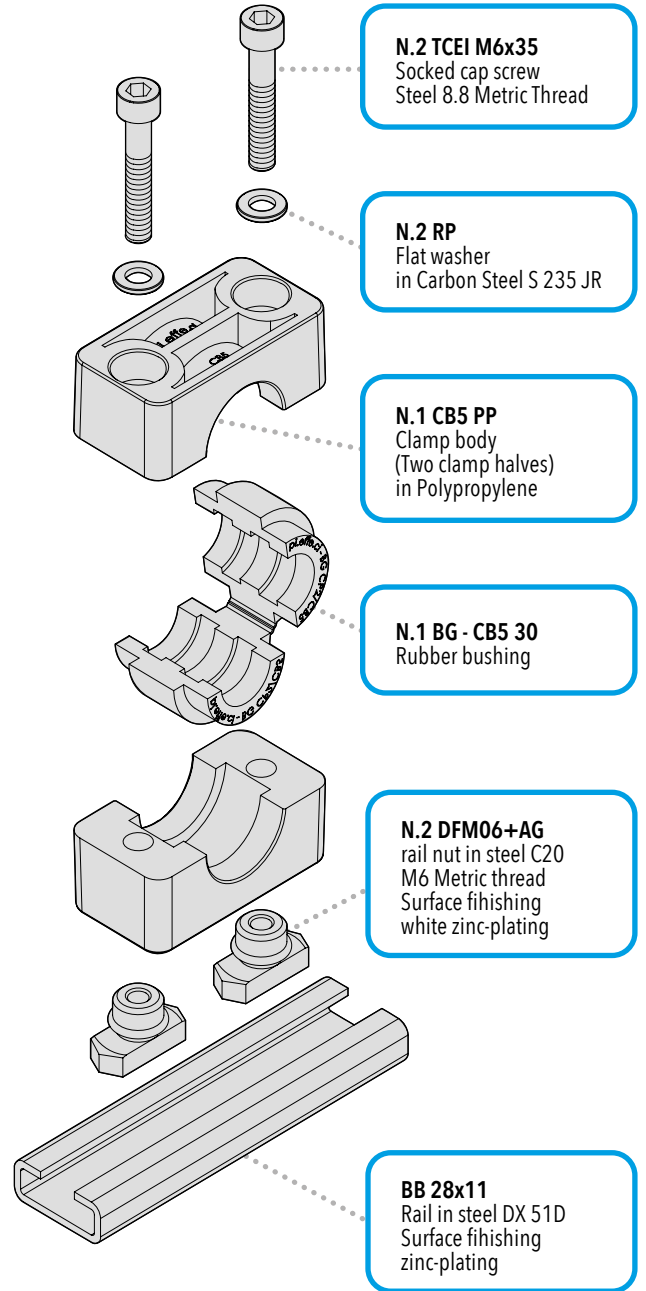
### MOUNTING EXAMPLE 19

Mounting Example of complete clamp CB5 in Polypropylene with rubber bushing for pipe with outside diameter of 30 mm, single weld plate and upper plate



### MOUNTING EXAMPLE 20

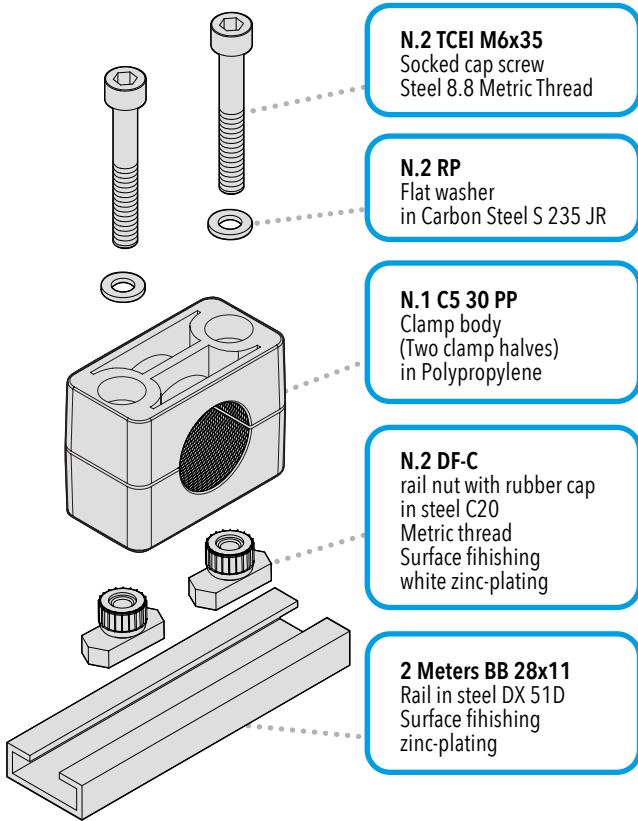
Mounting Example of complete clamp CB5 in Polypropylene with rubber bushing for pipe with outside diameter of 30 mm, mounting rail 28x11 mm.





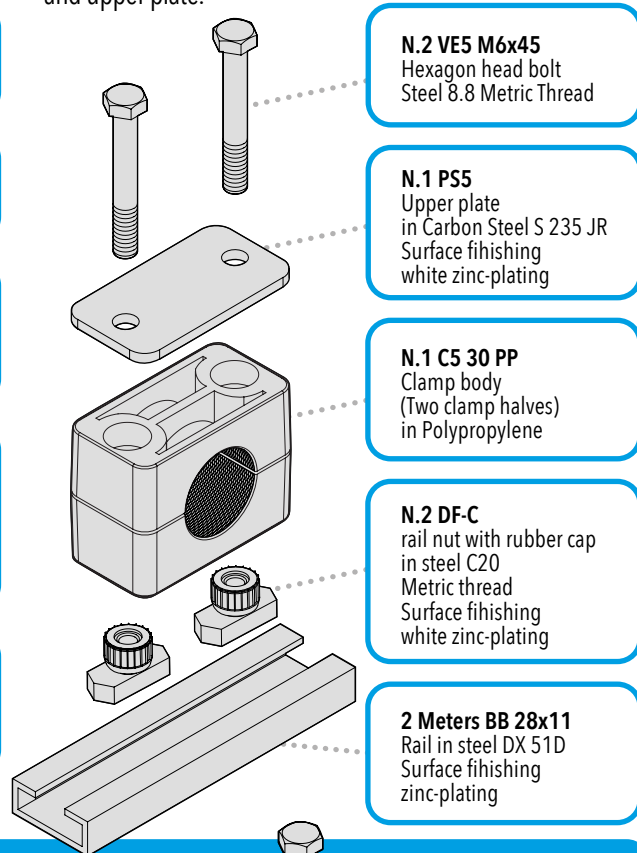
## MOUNTING EXAMPLE 21

Mounting Example of complete clamp C5 in Polypropylene for pipe with outside diameter of 30 mm, mounting rail nut.



## MOUNTING EXAMPLE 22

Mounting Example of complete clamp C5 in Polypropylene for pipe with outside diameter of 30 mm, mounting rail nut and upper plate.



## MOUNTING EXAMPLE 23

Mounting Example of complete clamp C5 type side by side in Polypropylene for pipe with outside diameter of 30 mm, with multiple weld plate and upper plate.

