

77208
77209
77210
 PUMP CARE

SPIN-ON

Zuigfilter
Filtere d'aspiration
Suction filter

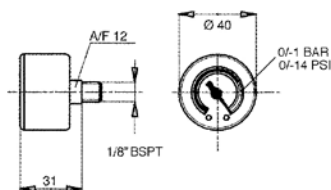


	12 BAR
	15 BAR
	25 BAR
	max. 100 LPM (Visc. = 30cSt)
	-25/+110°C
	ΔP MAX. 4 BAR
	By-pass 0,35 BAR (±10%)
	G3/4" ÷ G1.1/2"
	P10-P25-M60-M90
	HH-HL-HM-HR-HV-HG, acc. ISO 6743/4

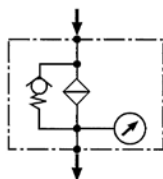
Filter met element - Filtre avec élément - Filter with element									
	$\rightarrow Q \rightarrow$ LPM $\Delta P \pm 0,03$ BAR Medium: Visc. = 30 cSt - s.g. 0,9 ΔP Visc. 22cSt. Δ 100 cSt. + HH Computer Aided Filter design (CAF)								REF.
	P10μ XXX=P10	P25μ XXX=P25	M60μ XXX=M060	M90μ XXX=M090	A05μ XXX=A03	A07μ XXX=A06	A12μ XXX=A12	A15μ XXX=A15	
11	24	24	24	24					77208-1112-XXX
12	24	24	24	24					77208-1212-XXX
21	70	70	70	70					77208-2120-XXX
22	70	70	70	70					77208-2220-XXX
21*	100	100	100	100					77209-3124-XXX
22*	100	100	100	100					77209-3224-XXX
21*	100	100	100	100					77210-4124-XXX

* $\rightarrow \leftarrow$ 2x 77208!

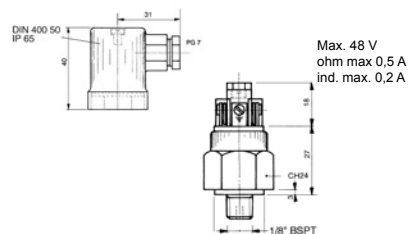
Visueel
 Visuel
 Visual
 SERIE 10
 $\rightarrow \leftarrow$ REF. 77208
 77209
 77210



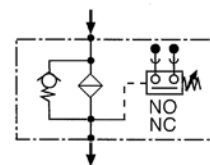
REF.
77485-10

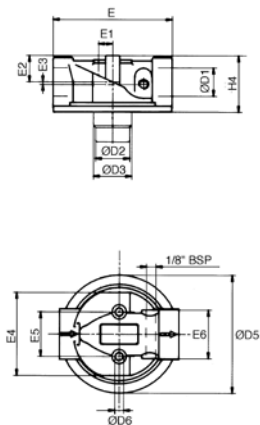


Elektrisch
 Électrique
 Electrical
 SERIE 20 / 22
 $\rightarrow \leftarrow$ REF. 77208
 77209
 77210

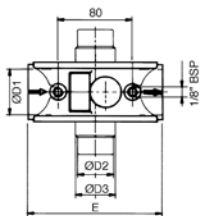


±10%		REF.
-0,3 BAR	NO	1171-35-003
-0,3 BAR	NC	1171-34-003

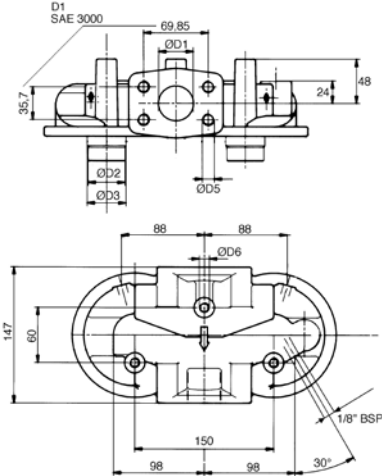




REF.
77208

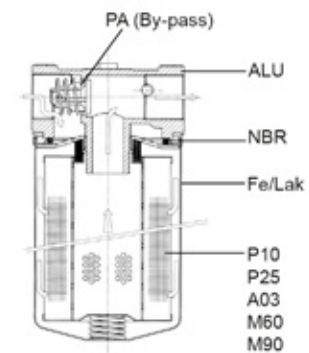


REF.
77209



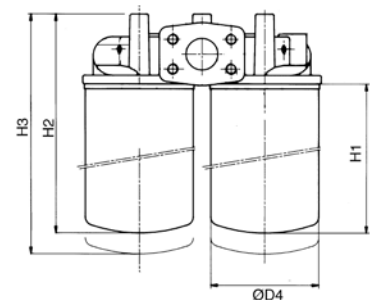
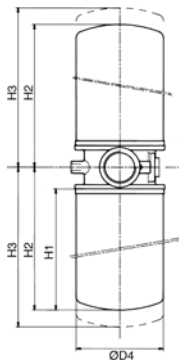
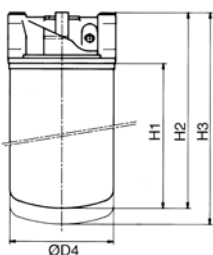
REF.
77210

		REF.
by-pass	11&12	77208-11-C
by-pass	21&22	77208-21-C

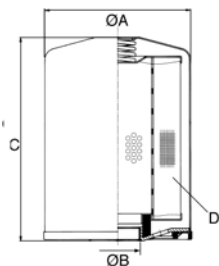


		REF.
13.22		
11&12	NBR	7288-1/2-ring
21&22	NBR	7288-2/3-ring

Filterkop met by-pass: zonder element, indicator - Tête du filtre avec by-pass: sans élément, indicateur - Filter head with by-pass: without element, indicator																	
D1 BSPP SAE 3000	D2	D3 BSPP	D5	D6	E	E1	E2	E3	E4	E5	E6	H4					REF.
														kg		Serie	
G3/4	G3/4	-	96	M8	95	10	23	3	60	38	32	43		0,35	11&12	10/20/22	77208-0012
G1.1/4	1.1/2-16UN	G1.1/4	134	M8	133	14,5	30	3	94	50	54	67		0,9	21&22	10/20/22	77208-0020
G1.1/2	1.1/2-16UN	G1.1/4	-	M10	145							70		2,7	21&22 (2x)	10/20/22	77209-0024
G1.1/2	1.1/2-16UN	G1.1/4	-	M10								88		4,1	21&22 (2x)	10/20/22	77210-0024
SAE 1.1/2"	1.1/2-16UN	G1.1/4	M12	M10								88		4,1	21&22 (2x)	10/20/22	77210-0024SM



Filter met element(en) / Filtre avec élément(s) / Filter with element(s)																	
D4	H1	H2	H3		REF.	D4	H1	H2	H3		REF.	D4	H1	H2	H3		REF.
96	145	188	208	1,2	77208-1112-XXX	129	181	216	246	3,6	77209-3124-XXX	129	181	269	299	4,8	77210-4124-XXX
129	191	234	254	1,5	77208-1212-XXX	129	226	261	291	3,8	77209-3224-XXX	129	226	314	344	5,0	77210-4224-XXX
129	181	248	278	1,9	77208-2120-XXX												
129	226	293	323	2,0	77208-2220-XXX												



Element - Élément - Element									
	A	B BSPP	C	D (cm ²) P10-P25	REF*		D (cm ²) M60-M90	REF*	
					P10µ	P25 µ		M60µ	M90µ
11	96	G3/4	146	3.305	77208-11-P10	77208-11-P25	980	77208-11-M060	77208-11-M090
12	96	G3/4	191	4.745	77208-12-P10	77208-12-P25	1.390	77208-12-M060	77208-12-M090
21	129	G1.1/4	181	5.560	77208-21-P10	77208-21-P25	1.940	77208-21-M060	77208-21-M090
22	129	G1.1/4	226	7.360	77208-22-P10	77208-22-P25	2.570	77208-22-M060	77208-22-M090

* REF. 77209-0024 & 77210-0024 → ← 2x 77208!

HYDROFLEX HYDRAULICS B.V.
t. +31 (0)186 620777
f. +31 (0)186 616007
e. sales@hydroflex.nl

HYDROFLEX HYDRAULICS BELGIUM N.V.
t. +32 (0)2 2674114
f. +32 (0)2 2674225
e. sales@hydroflex.be

HYDROFLEX HYDRAULICS ROTTERDAM B.V.
t. +31 (0)10 2839000
f. +31 (0)10 4952590
e. rotterdam@hydroflex.nl