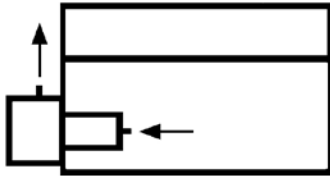


77206

PUMP CARE

INSIDE / OUTSIDE

Zuigfilter
Filtre d'aspiration
Suction filter

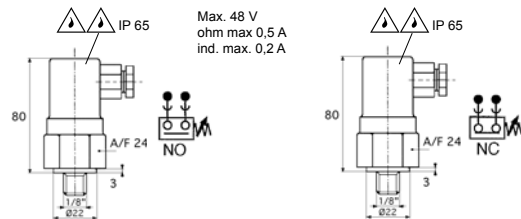
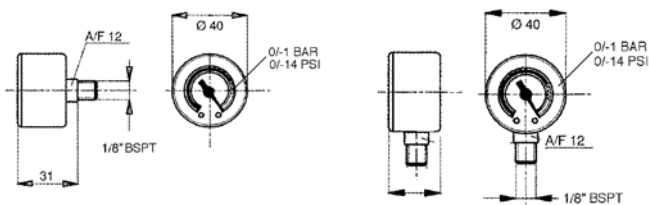


	max. 550 LPM (Visc. = 30cSt)
	-25/+110°C
	ΔP MAX. 10 BAR
	G1.1/4" - G1.1/2" sae 2.1/2" ÷ 4" 3000 PSI
	M60-M90-M250
	HH-HL-HM-HR-HV-HG, acc. ISO 6743/4

Filter met element - Filtre avec élément - Filter with element								
	→ Q → LPM ΔP ± 0,01 BAR Medium: Visc.= 30 cSt - s.g. 0,9 ΔP Visc. 22cSt. Δ 100 cSt. + HH Computer Aided Filter design (CAF)							REF.
	M60μ XXX=M060	M90μ XXX=M090	M250μ XXX=M250					
31	80	80	120					77206-3120-XXX
41	120	120	120					77206-4124-XXX
41	200	200	200					77206-4140-XXX
51	350	350	350					77206-5148-XXX
61	550	550	550					77206-6164-XXX

Visueel
Visuel
Visual
→ REF. 77206

Elektrisch
Électrique
Electrical
→ REF. 77206

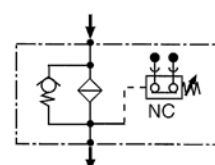
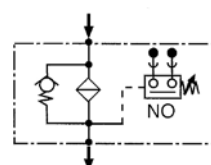
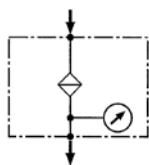


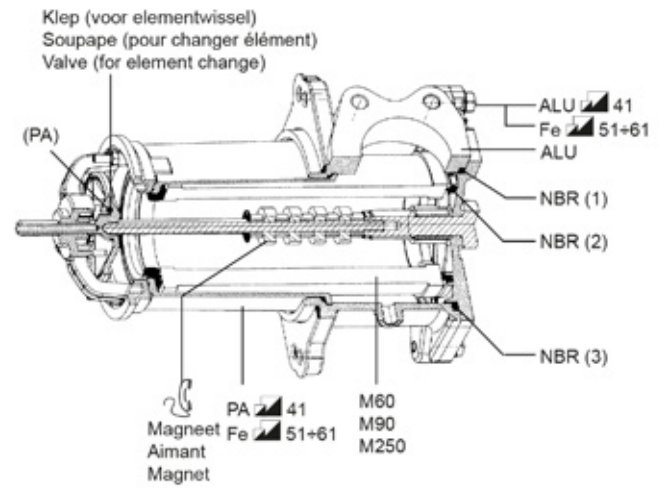
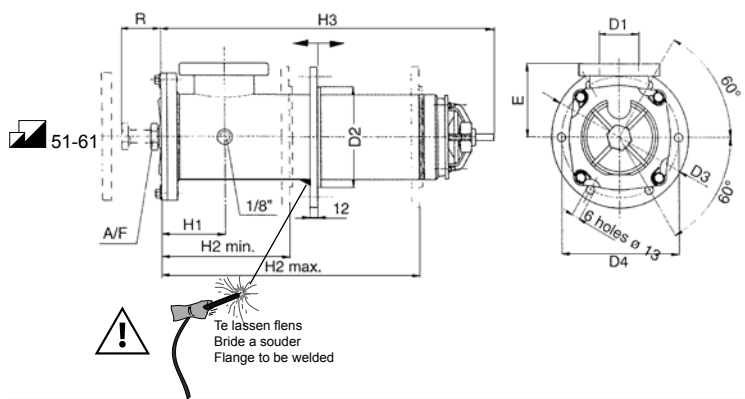
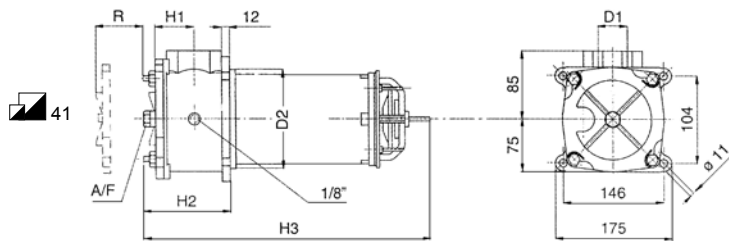
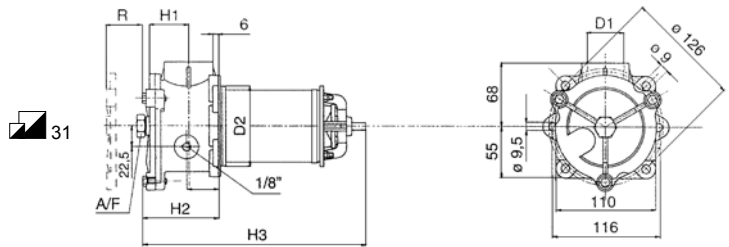
REF.
77485-10

REF.
77481-11

±10% REF.
-0,3 BAR 1171-35-003

±10% REF.
-0,3 BAR 1171-34-003

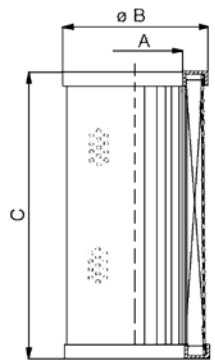




		REF.
31		77206-31-OR
41		77206-41-OR
51	NBR 1+2+3	77206-51-OR
61		77206-61-OR

Filterhuis zonder: by-pass, element, indicator - Corps du filtre sans: by-pass, élément, indicateur - Filter body without: by-pass, element, indicator															
D1 BSPP SAE 3000	D2*	D3	D4	E	H1	H2	H3	R	A/F			kg		Serie	REF.
G1.1/4	86				42	80	275	250	22			1,6	31	10/11/90/92	77206-3120
G1.1/2	130				66	120	322	300	32			3,0	41	10/11/90/92	77206-4124
SAE 2.1/2"	130				66	120	322	300	32			3,0	41	10/11/90/92	77206-4140SM
SAE 3"	150	210	180	110	95	174+355	480	500	32			13,0	51	10/11/90/92	77206-5148SM
SAE 4"	180	242	210	120	122	250+405	470	500	32			16,0	61	10/11/90/92	77206-6164SM

* Reservoirgat / Alésage reservoir / Tank cut out D2 + 1 mm



	Element - Élément - Element			D (cm2) M60-M90-M250	REF.		
	A	B	C		M60µ	M90µ	M250µ
31	29,5	70	163	1600	77206-31-M060	77206-31-M090	77206-31-M250
41	65	99	198	1845	77206-41-M060	77206-41-M090	77206-41-M250
51	65	99	375	3545	77206-51-M060	77206-51-M090	77206-51-M250
61	93	136	375	5065	77206-61-M060	77206-61-M090	77206-61-M250